

MPM/MDM484 Pressure/Differential Pressure Transmitting Controller

Features

- Φ150mm standard pressure gauge outline;
- 31/2 digit LED digital indicator displaying pressure value;
- Max. 5 relay outputs, free setting and display; stable operation;
- Wider power supply range, optional analog output signal;
- Stainless steel material contacting with media, aluminum-alloy electronic housing;
- 316L stainless steel diaphragm, flush diaphragm (only pressure type) and tantalum diaphragm (only pressure type) optional;
- Strict aging testing, stable and reliable performance;



Introduction

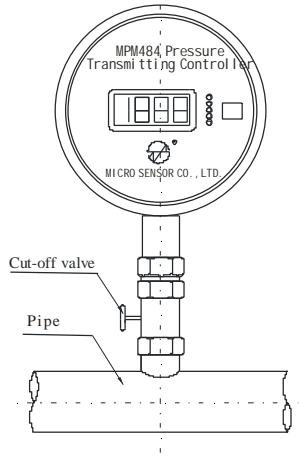
The product is an integrated multi-functional transmitter with analog circuit, can measure and display liquid pressure or differential pressure as well as standard output signal at local place. The transmitter provides max.5 relay outputs, special production technics making operation stable and reliable. It can be used for flow pressure and differential pressure measure, display and control for power station, water supply and drainage, petroleum and chemi-industry, etc.

Specifications

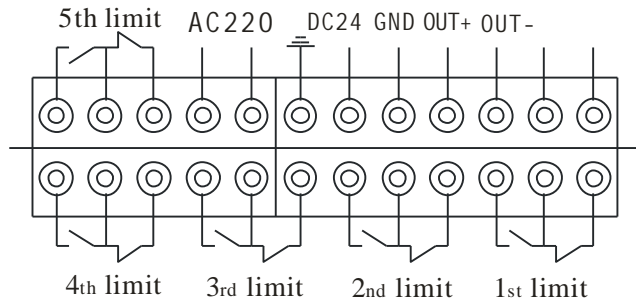
| | | | |
|--------|---|--------------|--------|
| MPM484 | Pressure range: -0.1...0~0.01...100MPa Overpressure: 1.5 times FS or 110MPa (min.value is valid) | | |
| MDM484 | Differential pressure range | Overpressure | |
| | | + | - |
| | 0~35kPa | 70kPa | 35kPa |
| | 0~70kPa | 150kPa | 70kPa |
| | 0~100kPa | 200kPa | 100kPa |
| | 0~350kPa | 700kPa | 350kPa |
| | 0~700kPa | 1400kPa | 700kPa |
| 0~1MPa | 2MPa | 1MPa | |

MPM/MDM484 Pressure/Differential Pressure
Transmitting Controller

Application Example



Electric Connection



Order Guide

| | | | | | |
|--------|---|----------------------------|--|---------|----|
| MPM484 | Pressure Transmitting Controller | | | | |
| MDM484 | Differential Pressure Transmitting Controller | | | | |
| | Code | Pressure range: kPa or MPa | | | |
| | [0~X]kPa or MPa | -0.1...0~0.01...100MPa | X=MPM484 actual measure range | | |
| | | 0~35kPa...3.5MPa | X=MDM484 actual measure range | | |
| | Code | Output signal | | | |
| | E | 4~20mADC | | | |
| | F | 1~5VDC | | | |
| | J | 0~5VDC | | | |
| | Q | 0~10mADC | | | |
| | U | 0~20mADC | | | |
| | V | 0~10VDC | | | |
| | Cod e | Construction material | | | |
| | | Diaphragm | Pressure port | Housing | |
| | | 22 | SS 316L | SS | SS |
| | | 25 | Tantalum | SS | SS |
| | 35 | Tantalum | Hastelloy C | SS | |
| | Code | Others | | | |
| | | M ₄ | 3 1/2 digits LED digital indicator (only 4~20mA) | | |
| | | P | Flush diaphragm, G1/2 male | | |
| | | C ₁ | M20×1.5 male, face type seal | | |
| | | C ₃ | G1/2 male (for type P) | | |
| | | C ₄ | G1/4 female | | |
| | | C ₅ | M20×1.5 male, waterline seal | | |
| | | G | Gauge | | |
| | S | Sealed gauge | | | |

