

Incremental encoders

Solid shaft with clamping or synchro flange

5...6000 pulses per revolution

GI355, GI356



GI355 with clamping flange

Technical data - electrical ratings

Voltage supply	5 VDC \pm 10 % 4.75...30 VDC 10...30 VDC
Reverse polarity protection	Yes (4.75...30 VDC)
Consumption w/o load	\leq 30 mA (24 VDC) \leq 60 mA (5 VDC)
Pulses per revolution	5...6000
Reference signal	Zero pulse, width 90°
Sensing method	Optical
Output frequency	\leq 150 kHz
Output signals	A 90° B, N + inverted
Output stage	Linedriver/RS422 Push-pull short-circuit proof
Interference immunity	DIN EN 61000-6-2
Emitted interference	DIN EN 61000-6-4
Approval	UL approval / E63076

Features

- Encoder with solid shaft \varnothing 10 mm or \varnothing 6 mm
- Max. 6000 pulses per revolution
- Optical sensing
- Clamping or synchro flange
- Industrial standard
- High rotation speed max.10000 rpm

Optional

- Stainless steel design GE355
- ATEX-approved, see X 700
- Corrosion protection for offshore applications

Technical data - mechanical design

Size (flange)	\varnothing 58 mm
Shaft loading	\leq 20 N axial \leq 40 N radial
Protection DIN EN 60529	IP 54 (without shaft seal), IP 65 (with shaft seal)
Operating speed	\leq 10000 rpm
Starting torque	\leq 0.015 Nm (IP 54) \leq 0.03 Nm (IP 65)
Rotor moment of inertia	14.5 gcm ²
Materials	Housing: aluminium Flange: aluminium
Operating temperature	-25...+100 °C (5 VDC) -25...+85 °C (24 VDC) -40...+85 °C (optional)
Relative humidity	95 % non-condensing
Resistance	DIN EN 60068-2-6 Vibration 10 g, 16-2000 Hz DIN EN 60068-2-27 Shock 200 g, 6 ms
Connection	Connector M23, 12-pin Cable 1 m
Weight approx.	250 g
GI355	
Shaft type	\varnothing 10 mm solid shaft
Flange	Clamping flange
GI356	
Shaft type	\varnothing 6 mm solid shaft
Flange	Synchro flange

Incremental encoders

Solid shaft with clamping or synchro flange

5...6000 pulses per revolution

GI355, GI356

Part number

Clamping flange

GI355.

Pulse number - see table

Connection

- C2 Connector M23, 12-pin, axial
- C3 Connector M23, 12-pin, radial
- 31 Cable 1 m, axial
- 41 Cable 1 m, radial

Voltage supply / signals

- 22 5 VDC / linedriver RS422
- 70 4.75...30 VDC / push-pull
- 72 10...30 VDC / linedriver RS422 (5 VDC)

Flange / Solid shaft

- 0 Clamping flange / ø10 mm, IP 54
- A Clamping flange / ø10 mm, IP 65

Synchro flange

GI356.

Pulse number - see table

Connection

- C2 Connector M23, 12-pin, axial
- C3 Connector M23, 12-pin, radial
- 31 Cable 1 m, axial
- 41 Cable 1 m, radial

Voltage supply / signals

- 22 5 VDC / linedriver RS422
- 70 4.75...30 VDC / push-pull
- 72 10...30 VDC / linedriver RS422 (5 VDC)

Flange / Solid shaft

- 1 Synchro flange / ø6 mm, IP 54
- B Synchro flange / ø6 mm, IP 65

Part number (pulse number)

49 (5)	05 (180)	16 (512)	28 (2000)
36 (10)	06 (200)	17 (600)	29 (2048)
37 (20)	08 (240)	19 (720)	30 (2500)
50 (25)	09 (250)	21 (900)	47 (3000)
39 (50)	10 (256)	22 (1000)	31 (3600)
40 (60)	11 (300)	23 (1024)	34 (4096)
41 (100)	13 (360)	61 (1200)	35 (5000)
01 (120)	14 (400)	24 (1250)	48 (6000)
57 (128)	15 (500)	26 (1500)	

Other pulse numbers on request.

Example: part number 23 = 1024 pulses.

Accessories

Connectors and cables

Z 141.001	Female connector M23, 12-pin, less cable
Z 141.003	Female connector M23, 12-pin, 2 m cable
Z 141.005	Female connector M23, 12-pin, 5 m
Z 141.007	Female connector M23, 12-pin, 10 m cable

Mounting accessories for GI355

Z 119.013	Adaptor plate for clamping flange for modification into synchro flange
Z 119.017	Mounting angle for clamping flange (M3)
Z 119.025	Adaptor plate for clamping flange, mounting by eccentric fixings (order separately)

Mounting accessories for GI356

Z 119.006	Eccentric fixing, single
Z 119.015	Mounting adaptor for synchro flange
Z 119.035	Bearing flange for encoders with synchro flange

Incremental encoders

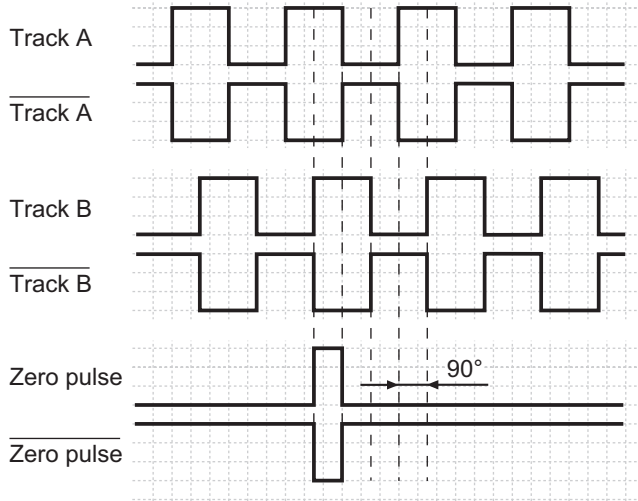
Solid shaft with clamping or synchro flange

5...6000 pulses per revolution

GI355, GI356

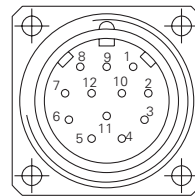
Output signals

Clockwise rotating direction when looking at flange.



Terminal assignment

Connector	Core colour	Assignment
Pin 1	pink	Track B inv.
Pin 2	blue	UB-Sense
Pin 3	red	Track N (zero pulse)
Pin 4	black	Track N inv. (zero pulse inv.)
Pin 5	brown	Track A
Pin 6	green	Track A inv.
Pin 7	–	–
Pin 8	grey	Track B
Pin 9	–	–
Pin 10	white/green	GND
Pin 11	white	GND-Sense
Pin 12	brown/green	UB



UB-Sense and GND-Sense are directly connected to UB resp. GND. Please use cores twisted in pairs (for example track A / track A inv.) for extension cables of more than 10 m length.

Trigger level

Outputs	Linedriver RS422
Output level High	>2.5 V (I = -20 mA)
Output level Low	<0.5 V (I = 20 mA)
Load High / Low	<20 mA

Outputs	Push-pull short-circuit proof
Output level High	>UB -3 V (I = -20 mA)
Output level Low	<0.5 V (I = 20 mA)
Load High / Low	<20 mA

Incremental encoders

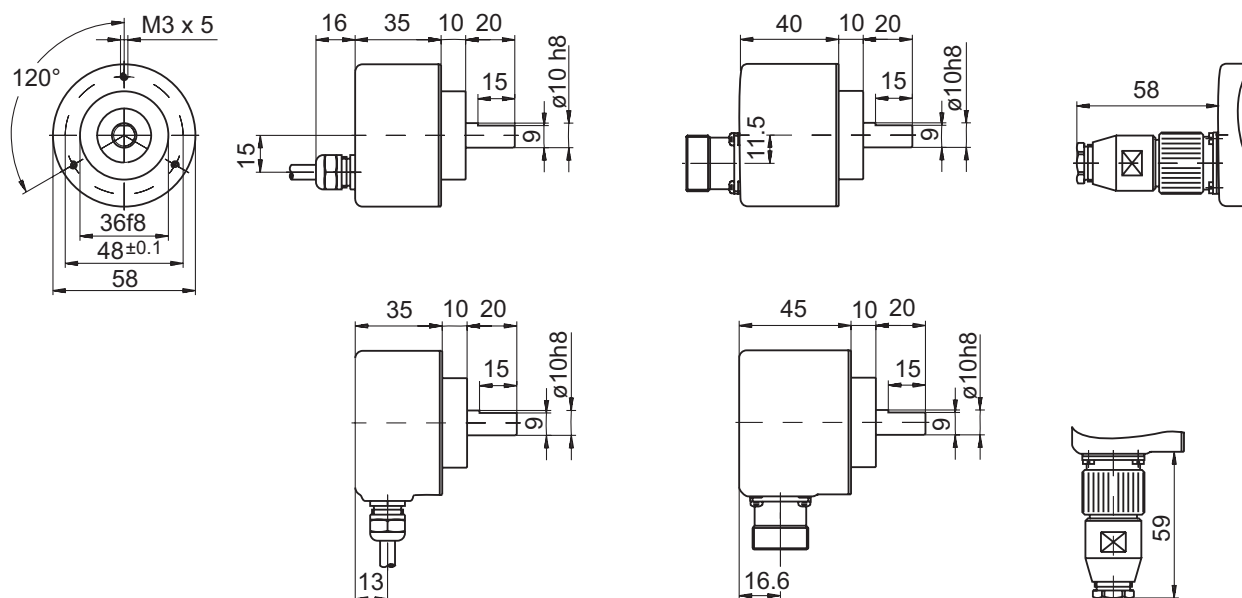
Solid shaft with clamping or synchro flange

5...6000 pulses per revolution

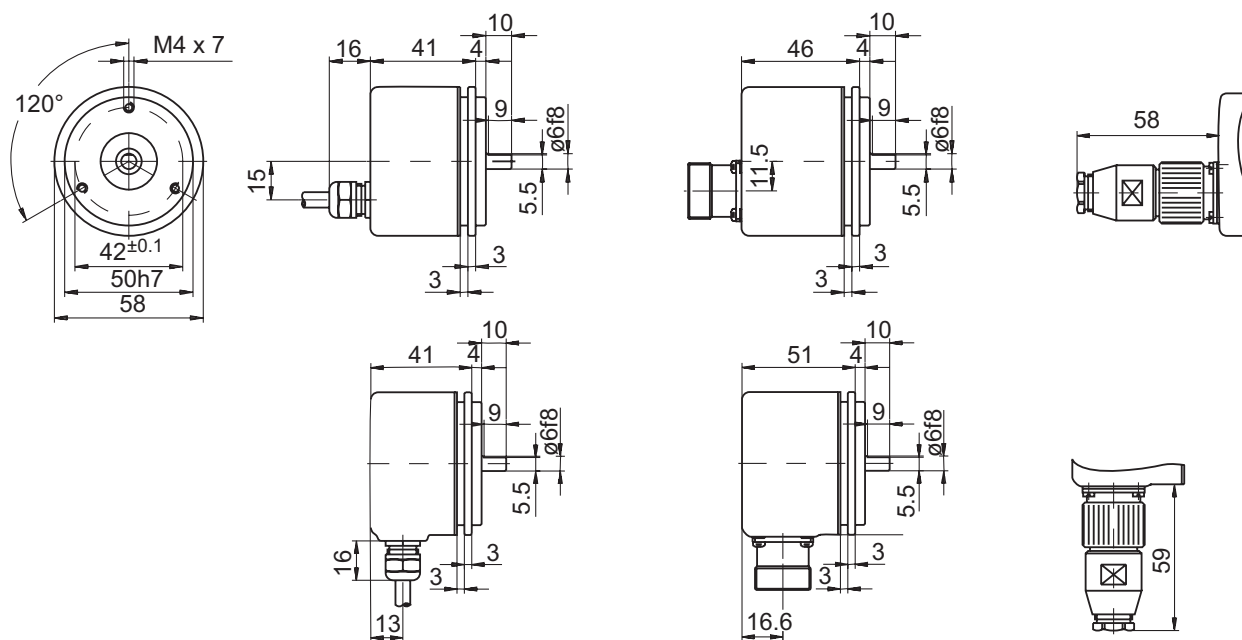
GI355, GI356

Dimensions

GI355 - clamping flange



GI356 - synchro flange



ООО "РусАвтоматизация"

454010 г. Челябинск, ул. Гагарина 5, оф. 507
 тел. 8-800-775-09-57 (звонок бесплатный), +7(351)799-54-26, тел./факс +7(351)211-64-57
info@rusautomation.ru; rusавтоматизация.рф; www.rusautomation.ru