



www.fine-tek.com

RA

RusAutomation

By-Pass Level Transmitter

FineTek

Innovation · Quality · Sharing



INTRODUCTION

INTRODUCTION

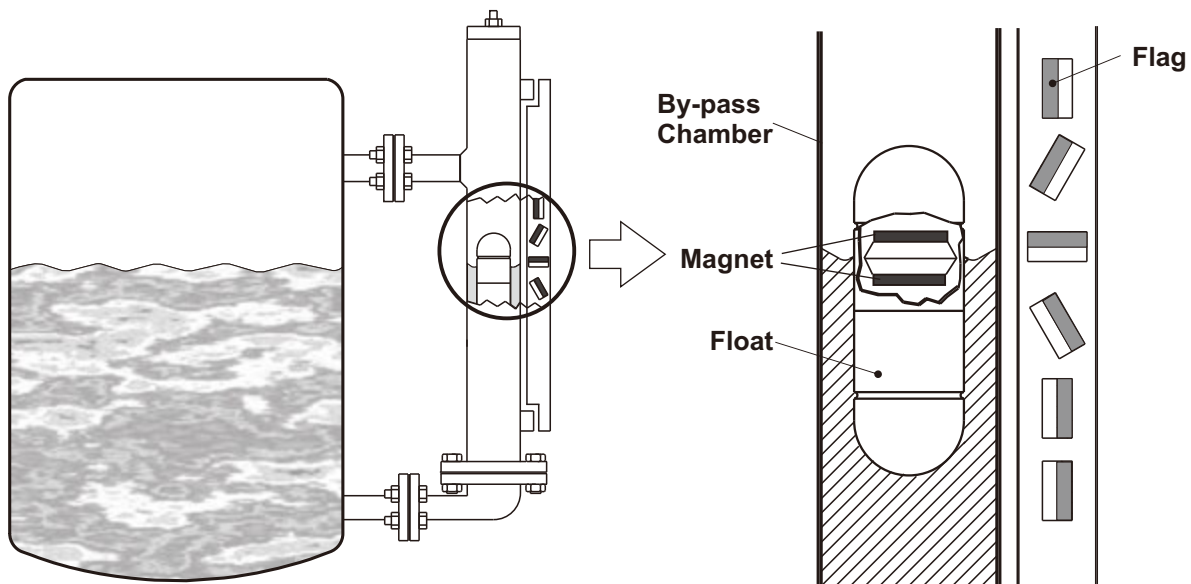
The By-Pass Level Indicator is installed outside of a vessel or tank. The liquid level in the tank can easily be observed from the change of the flag color. Optional devices of magnetic switch and level transducer can be added for electrical signal output and level transmitting.

PRINCIPLE

Fine-Tek's By-Pass indicator utilizes hydrostatic principle to show the liquid level in the tank. A float with a magnet inside rises and drops according to the liquid level change. Magnetic flags will flip as float passes through to indicate liquid level based on magnetic attraction method.

APPLICATIONS AND FEATURES

- Applicable in environment with high temp., high pressure, strong acid, strong alkaline and hazardous locations. The structure is simple but durable and reliable. It is also available with various options for upgrade.
- A level transducer or magnetic switch can be installed and adjusted during operation.
- It is not operated by electricity thus it will not be affected by power failure.
- Add different color of flag per 10cm that can be recognized easily.
- Multiple applications for textile dyeing, sewage water processing, power generating, boiler and petrochemical industries.



PRODUCT WITH PATENT RECOMMENDATION

1.) Magnetic Switch (Fig.1)

- * The plastic miniature magnetic switch is anti-corrosive and with IP67 rating. It is the smallest magnetic switch in the current market.
- * The magnetic switch is easy to set up and has real time adjustment.

2.) Innovative Design For Bottom End Flange and the Connecting Flange (Fig.2)

- * The lower center duct is at the bottom end of the chamber.
When the liquid drains in the tank, there will be no residue in the chamber unit.
- * This is suitable for production that requires frequent liquid change and mixture is not allowed during the process.

3.) Removable Duct and Connecting Flange (Fig.3)

- * The flange setting is close to the two ends of the chamber, therefore the "C-C" distance is maximized.
- * It is strengthened in the structure by a large phase weld.
- * During the installation, adjust the flange to the fitting mounting holes.

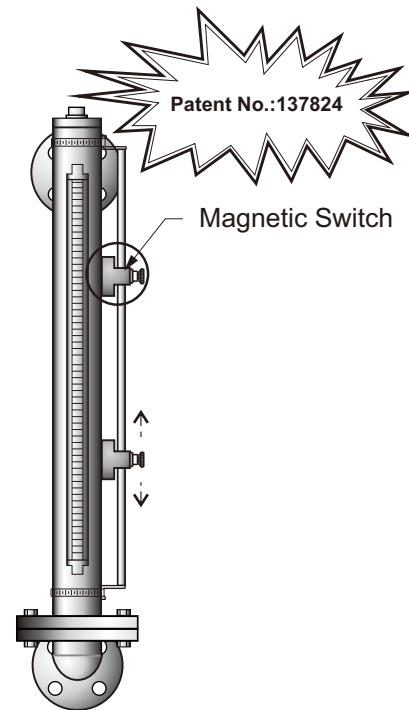


Fig.1

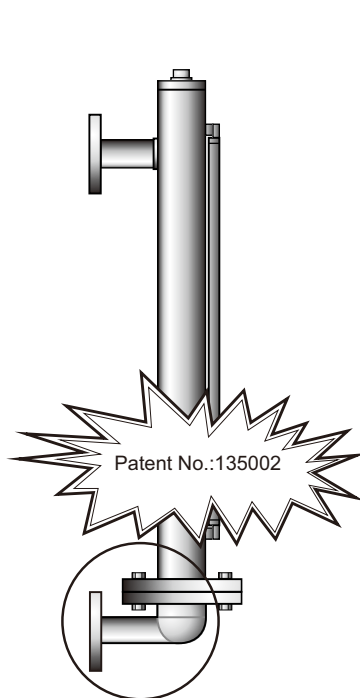


Fig.2

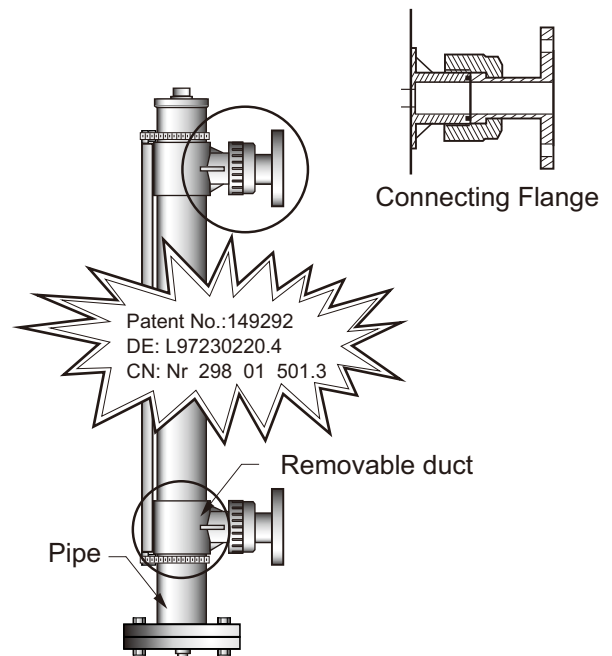
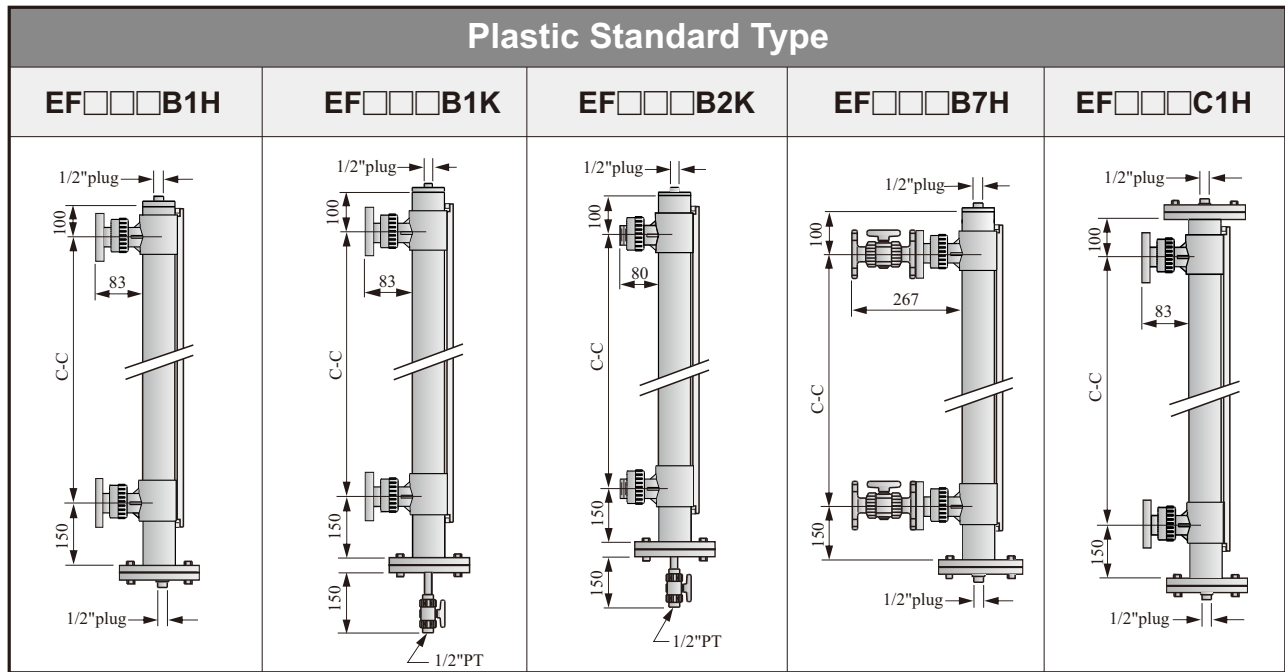


Fig.3

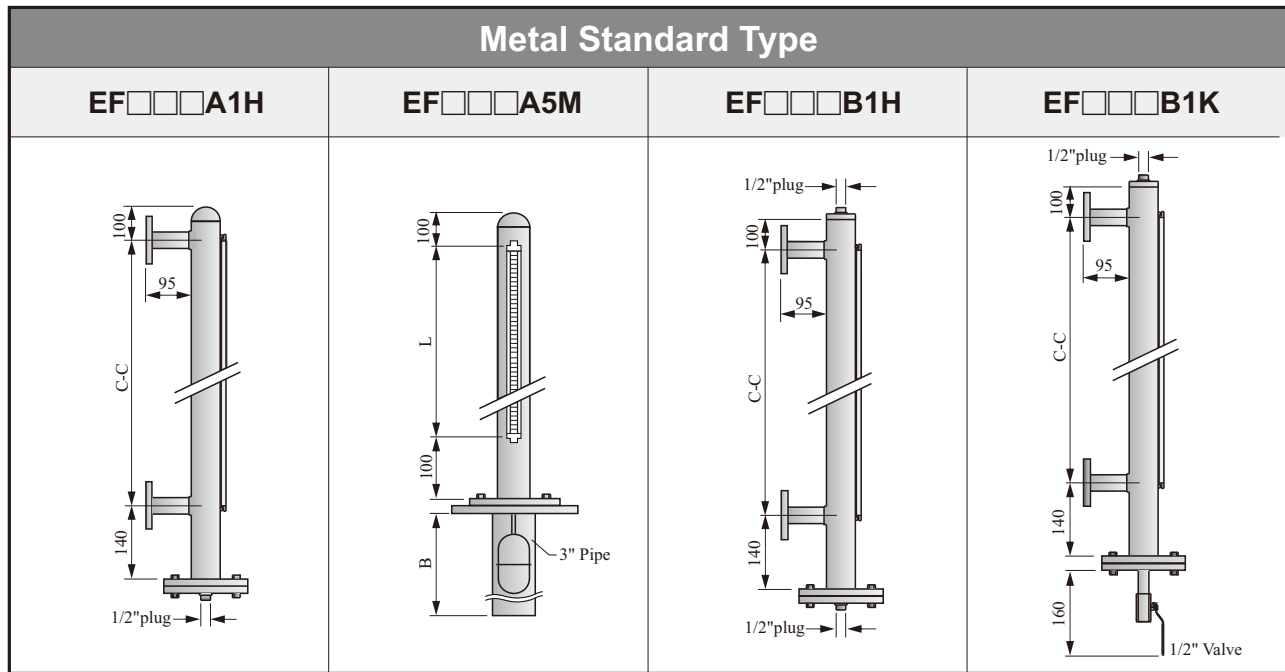
SPECIFICATIONS



SPECIFICATIONS:

Model No.	EF□□□B1H	EF□□□B1K	EF□□□B2K	EF□□□B7H	EF□□□C1H
Description					
Top end	Flat top with 1/2"PT plug				Dual flange with 1/2"PT plug
Bottom end	Dual flange with 1/2"PT plug	Dual flange with 1/2"PT drain valve		Dual flange with 1/2"PT plug	
Connecting	3/4" x10kg/cm ² (Flange)		3/4" or 1"PT (Screw)	3/4" x10kg/cm ² (Ball Valve)	3/4" x10kg/cm ² (Flange)
C-C Distance	Min. 150mm; Max. 3800mm				
Operation pressure	5kg/cm ²				
Operation temp.	PP: 80°C, PVDF: 120°C				
Chamber	PP: φ60.5 x 3.8t, PVDF: φ63 x 3.2t				
Float type	EFB-2500 (PVDF) / 2510 (PP) (Refer float specifications)				
Material	PP / PVDF				
Flag indicator	EFB-0750 (140°C) (Refer flag display data)				
Ruler	Option(Refer ruler data)				

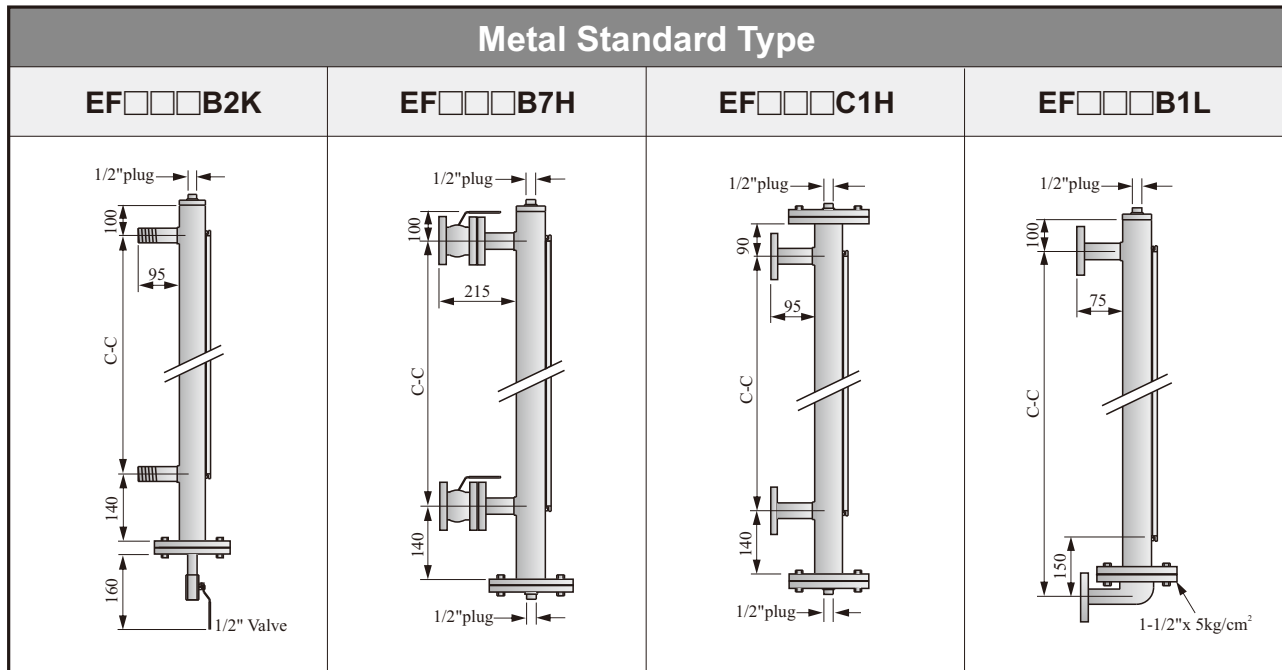
Metal Standard Type



SPECIFICATIONS

Model No.	EF□□□A1H	EF□□□A5M	EF□□□B1H	EF□□□B1K
Description				
Top end	Cap		Flat top with 1/2"PT plug	
Bottom end	Dual flange with 1/2"PT plug	Dual flange with 3" shield pipe	Dual flange with 1/2"PT plug	Dual flange with 1/2" drain valve
Bottom flange	1-1/2" x 5kg/cm ²	3-1/2" x 5kg/cm ²	1-1/2" x 5kg/cm ²	
Connecting	3/4" x 10kg/cm ² (Flange)	3" (Hole)	3/4" x 10kg/cm ² (Flange)	
C-C Distance Flag isplay length(L)	Min. 150mm; Max. 5,800mm	Min. 150mm; Max. 2,000mm	Min. 150mm; Max. 5.800mm	
Operation pressure	25kg/cm ² (Max. 50kg/cm ²)			20kg/cm ²
Operation temp.	SUS304: 140°C, 200°C, 400°C SUS316: 140°C, 200°C, 400°C			SUS304: 140°C,200°C,350°C SUS316: 140°C,200°C,350°C
Chamber	φ60.5 x 2.8t			
Float type	EFB-2580 (Refer float specifications)			
Material	SUS304 / SUS316			
Flag indicator	EFB-0700 (200°C), EFB-0740 (400°C), EFB-0750 (140°C)(Refer flag display data)			
Ruler	Option (Refer ruler data)			

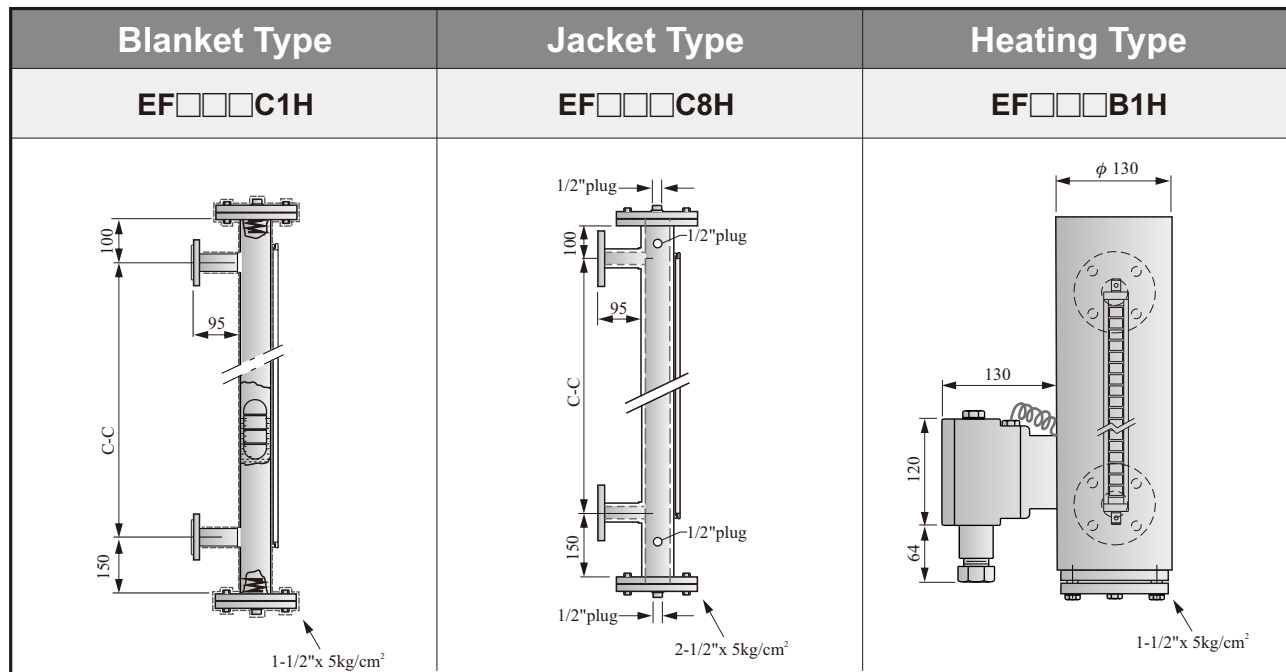
Metal Standard Type



* The pipe is so long that support rack is needed to prevent pipe from bending.

SPECIFICATIONS

Model No.	EF□□□B2K	EF□□□B7H	EF□□□C1H	EF□□□B1L
Description				
Top end	Flat top with 1/2"PT plug		Dual flange with 1/2"PT plug	Flat top with 1/2"PT plug
Bottom end	Dual flange with 1/2" drain valve	Dual flange with 1/2"PT plug		Dual flange+angle pipe
Bottom flange	1-1/2" x 5kg/cm ²			—
Connecting	3/4"PT or 1"PT (Screw)	3/4" x10kg/cm ² (Ball Valve)	3/4" x10kg/cm ² (Flange)	
C-C Distance	Min. 150mm; Max. 5,800mm			
Operation pressure	20kg/cm ²	10kg/cm ²	25kg/cm ² (Max. 50kg/cm ²)	
Operation temp.	SUS304:140°C, 200°C, 350°C SUS316:140°C, 200°C, 350°C		SUS304:140°C, 200°C,400°C SUS316:140°C, 200°C,400°C	
Chamber	φ60.5 x 2.8t			
Float type	EFB-2580 (Refer float specifications)			
Material	SUS304 / SUS316			
Flag indicator	EFB-0700 (200°C), EFB-0740 (400°C), EFB-0750 (140°C) (Refer flag display data)			
Ruler	Option (Refer ruler data)			



SPECIFICATIONS

Model No. Description	EF□□□C1H	EF□A/B□C1H	EF□□□B1H
Top end	Dual flange with 1/2"PT plug		Dual flange with 1/2"PT plug
Bottom end	Dual flange with 1/2"PT plug		Dual flange with 1/2"PT plug
Connecting	3/4" x10kg/cm ² (Flange)	1-1/4" x 10kg/cm ²	3/4" x10kg/cm ² (Flange)
C-C Distance	Min. 150mm; Max. 5800mm		
Operation pressure	25kg/cm ² (Max. 50kg/cm ²)		20kg/cm ²
Operation temp.	SUS304: 140°C, 200°C, 400°C SUS316: 140°C, 200°C, 400°C		SUS304: 100°C SUS316: 100°C
Chamber	φ60.5 x 2.8t	Jacket φ76 x 3.0t 1/2"PT plug	φ 65 x 3.5t φ130 Heating type
Float type	EFB-2580 (Refer float specifications)		
Material	SUS304 / SUS316		
Flag indicator	EFB-0700 (200°C), EFB-0740 (400°C), EFB-0750 (140°C) (Refer flag display data)		
Ruler	Option (Refer ruler data)		

Antiseptic Type	High Pressure Type
EF□□□C1H	EF□□□C1H

SPECIFICATIONS

Model No. Description	EF□A/B□C1H	EF□□□C1H
Top end	Dual flange	Dual flange with 1/2"PT plug
Bottom end	Dual flange	Dual flange with 1/2"PT plug
Connecting	3/4" x10kg/cm ² (Flange)	600Lb or 300Lb
C-C Distance	Min. 150mm; Max. 5800mm	
Operation pressure	25kg/cm ² (Max. 50kg/cm ²)	100kg/cm ² (300°C down)600Lb 60kg/cm ² (300°C up)300Lb
Operation temp.	PP: 80°C PTFE:120°C	SUS304: 140°C SUS316: 140°C
Chamber	φ65 x 2t Coating PP or PTFE	φ 76.3 x 5.5t
Float type	EFB-2580 (Refer float specifications) +Coating	EFB-2654 (Refer float specifications)
Material	SUS304 / SUS316	
Flag indicator	EFB-0700 (200°C), EFB-0740 (400°C), EFB-0750 (140°C) (Refer flag display data)	
Ruler	Option (Refer ruler data)	