

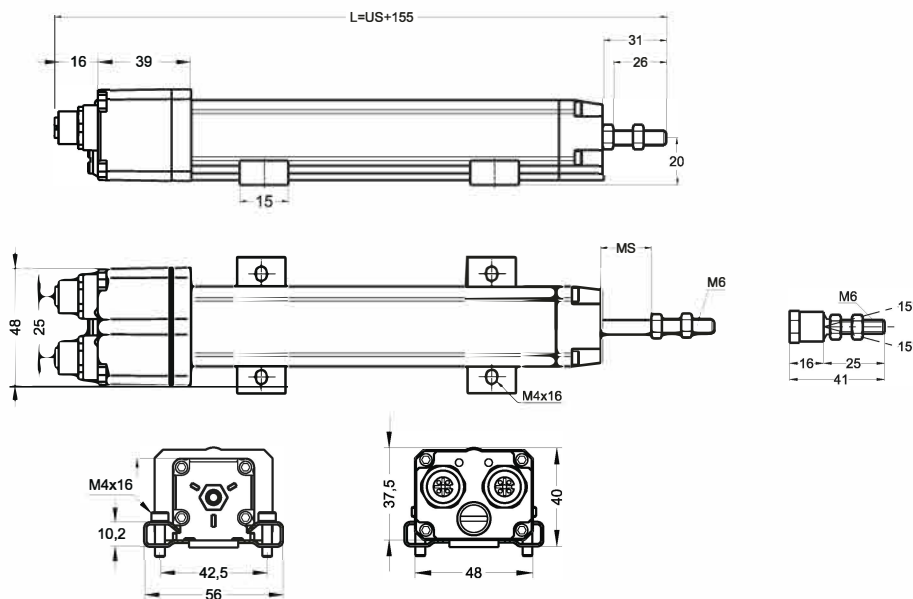
Linear Potentiometer BUS output

- Measurement stroke 30 - 1000 mm
- 15 bit resolution
- CANopen protocol



Teknik Özellikler

Measurement stroke	30 ... 1000 mm
Resolution	15 bit (stroke / 32767 mm)
Linearity	± %0,05 (>200mm), ±%0,1 (130 - 200mm), ± %0,2 (75 - 130mm), ±%0,5 (>75mm)
Response time	1 ms (at 500 Kbit/s)
Termination	120R configure with software
Power supply / Current consumption	8 VDC up to 30 VDC typ: 20 mA at 24 VDC
Power consumption	max. 0.6 W
Protection	Reverse polarity
Case dimension	33 x 33 mm
Case material	Anodized aluminium
Rod diameter	6 mm
Rod material	Stainless steel
Mechanical life	100 million movement
Mechanical fixing	Variable brackets
Interface	CAN
Protocol	CANopen
Communication profile	CiA301, CiA406 V3.2
Node number	1 up to 127 (default Node ID: 88)
Baud rate	10 Kbit/s to 1 Mbit/s (default Baud Rate: 500 Kbit/s)
Properties	SDO, PDO, Asynchronous - Synchronous communication Guard-Time, Heartbeat, Node ID, Baud Rate Termination, etc.
Green led	Power On, Can Communication Active
Red led	Error, Stop Mode
Protection	IP 65
Working temperature range	-20°C ... +80°C



RTL (mm)	30	50	75	100	125	130	150	175	200	225	250	275	300	325	350	375	400	450	500	550	600	650	700	750	800	850	900	1000
US (Usefull Stroke)	30	50	75	100	125	130	150	175	200	225	250	275	300	325	350	375	400	450	500	550	600	650	700	750	800	850	900	1000
MS ±0,5 (Mechanical Stroke)	33	53	73	103	128	133	153	178	203	228	253	278	303	328	353	373	403	453	503	553	603	653	703	753	803	853	903	1003
L (Total Length)	185	205	230	255	280	285	305	330	355	380	405	430	455	480	505	530	555	605	655	705	755	805	855	905	955	1005	1055	1155