



Automation for a Changing World

Delta Multifunction Pressure Sensor DPB Series



RA
RusAutomation

 **DELTA**
Smarter. Greener. Together.

Multifunction Pressure Sensor DPB Series

- ▶ Various unit conversion
- ▶ Various output modes
- ▶ 3 sets of color display
- ▶ 10 sets of output response time setup
- ▶ Fast zero reset
- ▶ Safety control function
- ▶ Easy code display



Various Unit Conversion

The DPB Series offers 6 kinds of globally adopted pressure units for measurement and display.



3-Color LCD Display (Green, Red, Orange)

The large LCD with a green, red and orange 3-color LCD display allows users to set the display color according to the ambient environment, such as when the pressure is within normal range or exceeds the allowed range. The display's color is orange when in parameter setup mode. This makes it easy for reading and reduces operation errors.



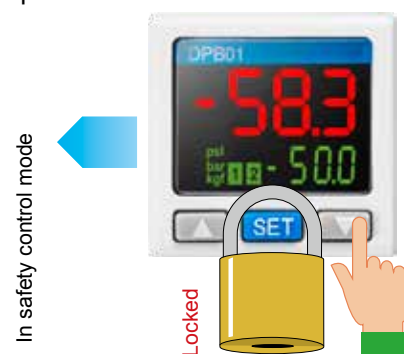
Color for upper / lower limit display (green / red)



Parameter set up (orange)

Safety Control Mode

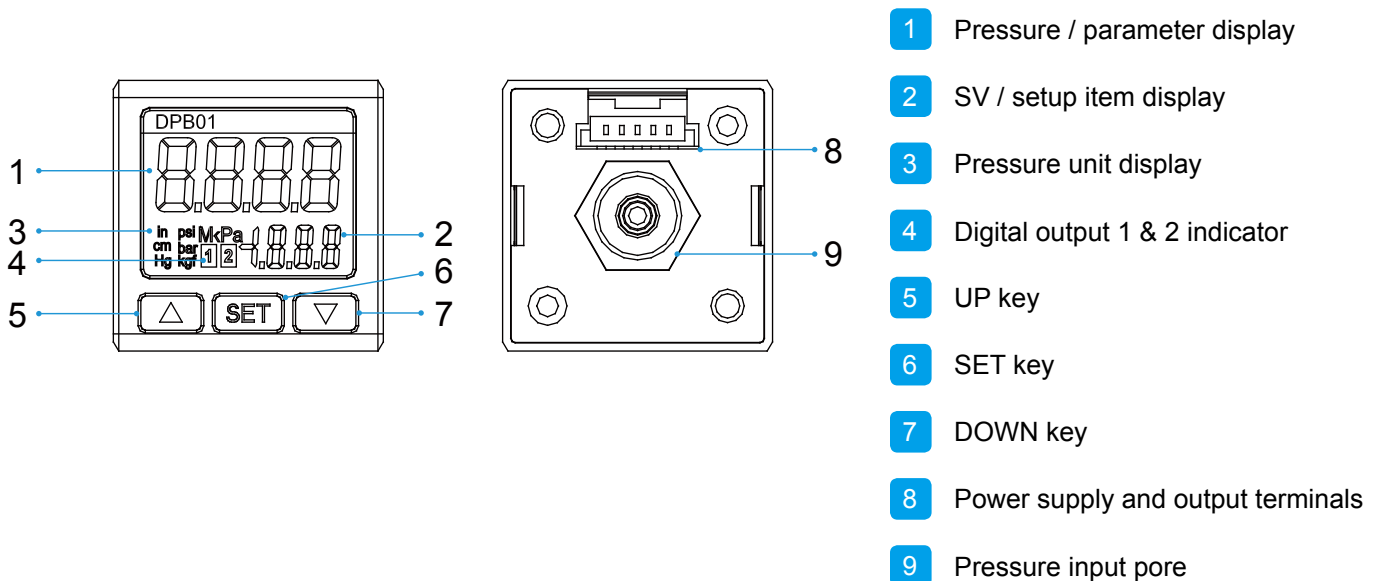
The safety control mode prevents operators from carelessly touching relevant parameters and affecting the operation and production of the equipment.



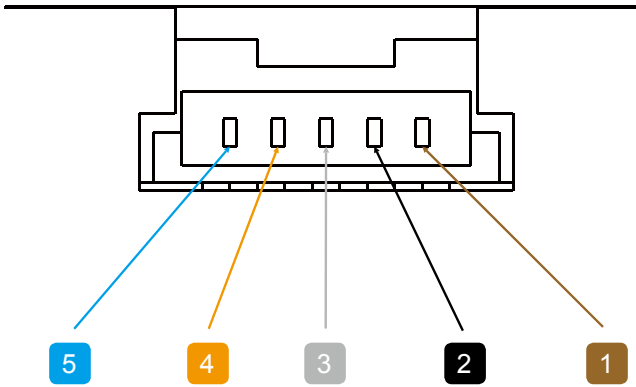
Specifications

Power Supply	Voltage range	12 ~ 24 V _{DC} ± 10% no isolation
	Power consumption	40 mA Max.
Pressure Measurement	Pressure type	Non-corrosive gas, gauge type
	Measurable range	DPB01: -100 kPa ~ 100 kPa; DPB10: -100 kPa ~ 1,000 kPa
	Max. durable pressure	DPB01: 200 kPa; DPB10: 1,500 kPa
	Accuracy	± 3% entire process
Display	Setup display	2-line LCD display, 4 digits for measured value and 3.5 digits for setup display
	Cycle	100ms, 250ms, 500ms, 1,000ms
Output	Number of outputs	Built-in 2 NPN or PNP transistor digital outputs
	Transistor output	Max. durable pressure 30V / 100mA, residual voltage 1.5V
	Response time	2ms, 4ms, 10ms, 30ms, 50ms, 100ms, 250ms, 500ms, 1,000ms, 5,000ms
Temperature	Ambient: 0°C ~ +50°C; Storage: -20°C ~ +65°C	
Ambient humidity	35% ~ 80% RH (non-condensing)	

Product Profile & Outline

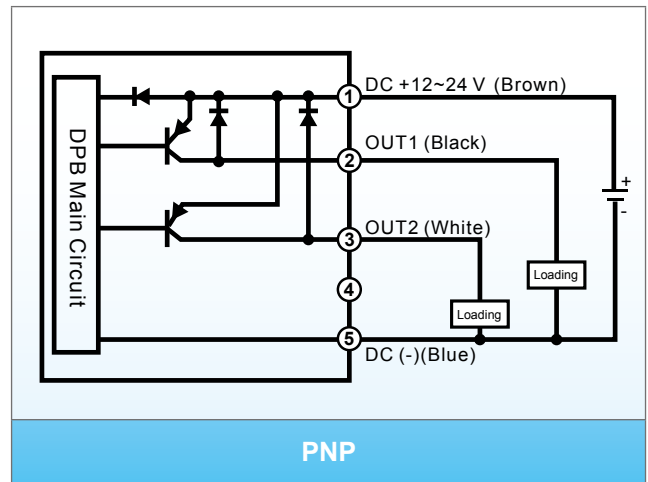
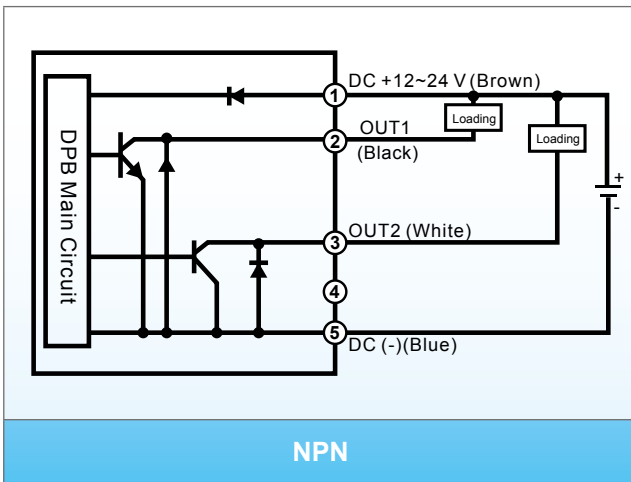


Terminals



- 1** Positive power supply input (Brown)
- 2** Digital output 1 signal (Black)
- 3** Digital output 2 signal (White)
- 4** No function (Orange)
- 5** Negative power supply input (Blue)

Various Output Control Modes



Ordering Information

DPB **0** **1** **N** - **P**

Range for Pressure Measurement

- 01** -100 kPa ~ 100 kPa
- 10** -100 kPa ~ 1,000 kPa

Product Name

DPB Series pressure sensor

Pressure Pore Type

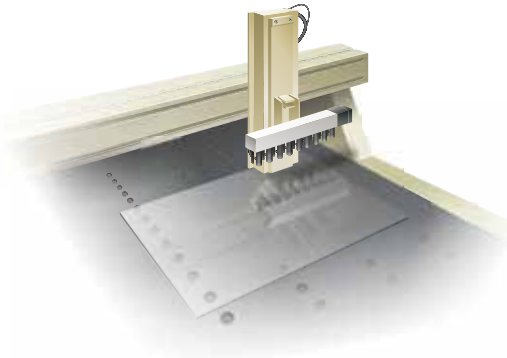
- P** Outer pore 1/8 PT, inner pore M5
- N** Outer pore 1/8 NPT, inner pore M5
- G** Outer pore 1/8 G, inner pore M5

Output Type

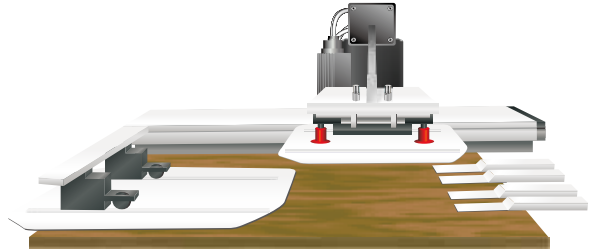
- N** NPN output
- P** PNP output

Applications

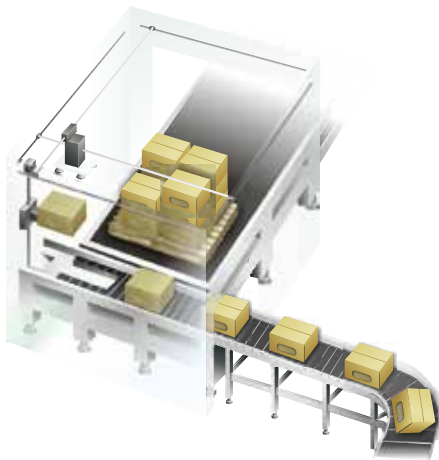
- **Mechanical Processing Industry**
Mechanical product processing and fixing



- **Solar Energy Industry**
Turnkey module lines suction



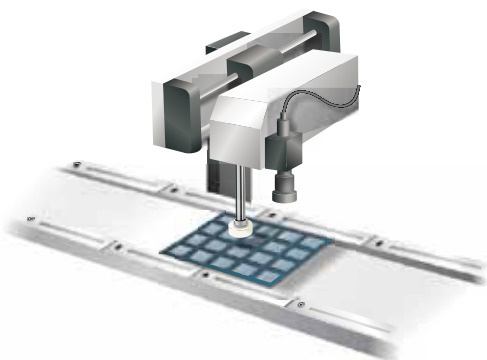
- **Food Packaging Industry**
Drinks, cans suction and packaging



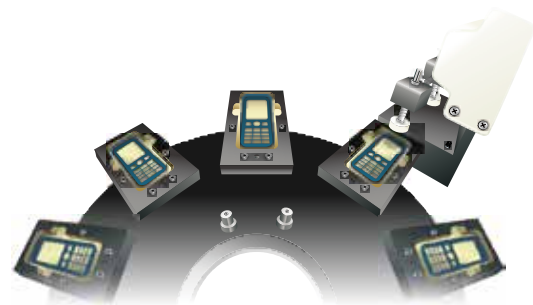
- **Semiconductor Industry**
Wafer suction and loading



- **Electronic Components Industry**
IC component suction and confirmation

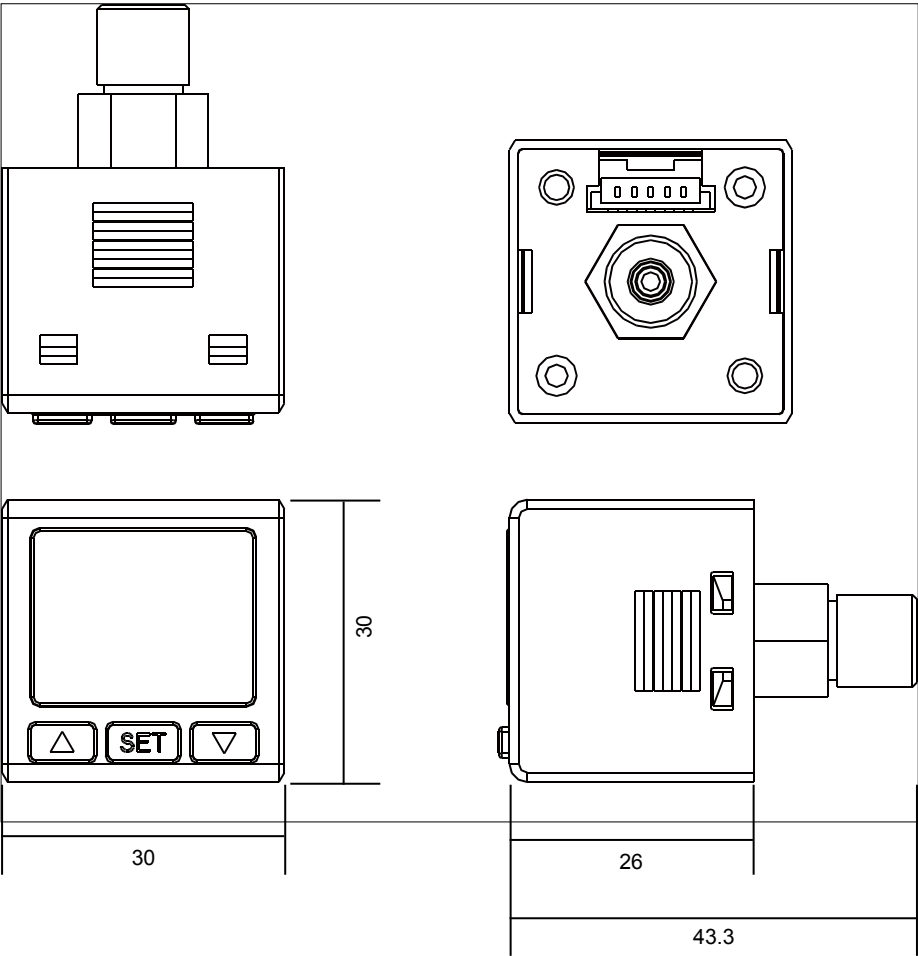


- **Automatic Assembly Industry**
Automation component assembly and confirmation



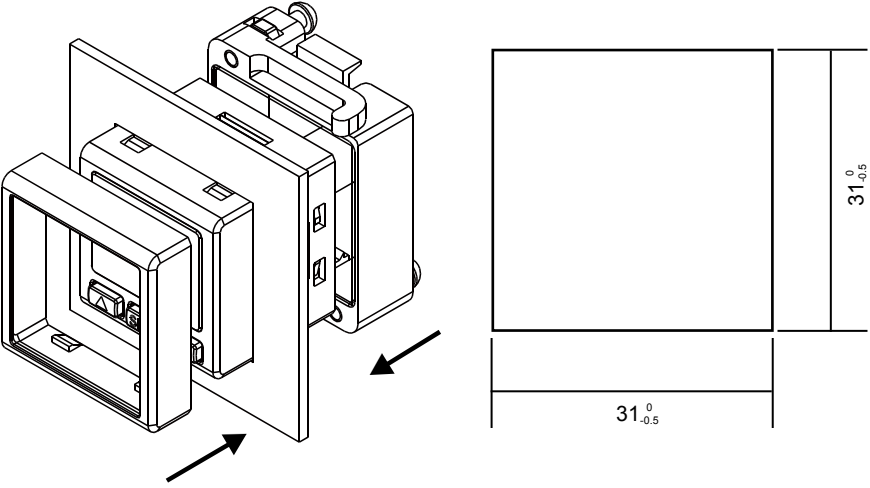


Dimensions (DPA / DPB) Unit : mm



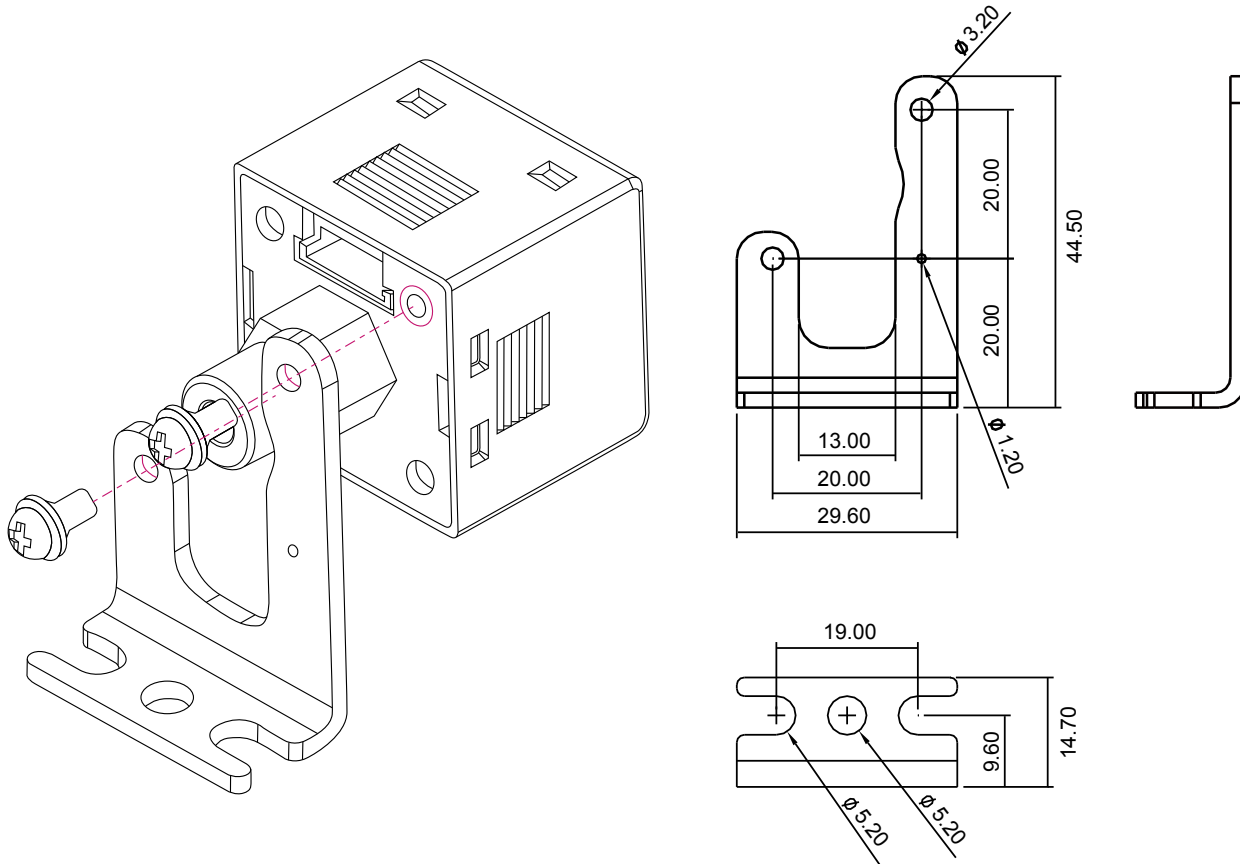
Panel Accessory (DPA / DPB) Unit : mm

Model: DPA-PFKit



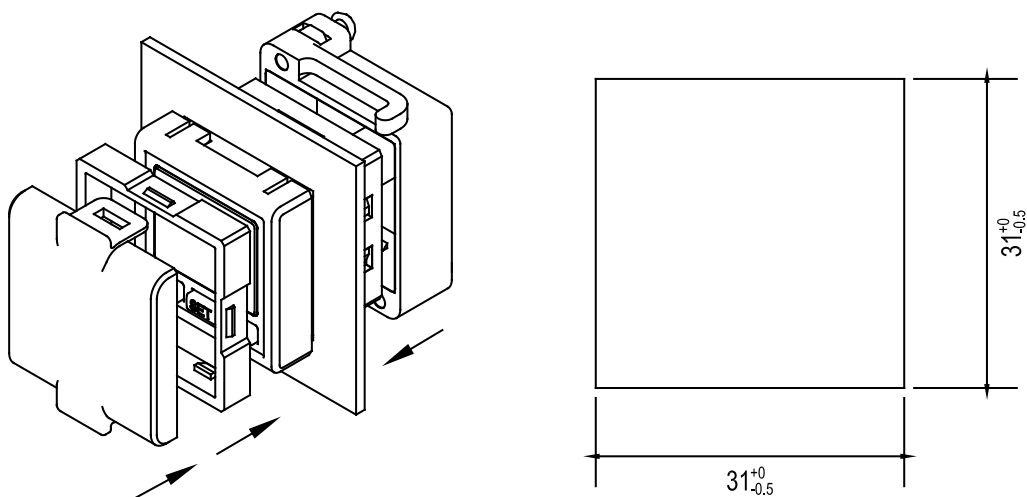
Shelf Accessory (DPA / DPB) Unit : mm

Model: DPA-FMKit



Transparent Protective Cover (DPA / DPB) Unit : mm

Model: DPA-FPCKIT



ООО "РусАвтоматизация"

454010 г. Челябинск, ул. Гагарина 5, оф. 507
тел. 8-800-775-09-57 (звонок бесплатный), +7(351)799-54-26, тел./факс +7(351)211-64-57
info@rusautomation.ru; [русавтоматизация.рф](http://rusавтоматизация.рф); www.rusautomation.ru