

DIN W48×H48mm Analog Timer

■ Features

- DIN W48×H48mm
- Easy and simple time setting
- Cost-effective
- Easy time setting
- **Wide range of time**
- Power supply: 100-240VAC 50/60Hz, 24-240VDC

Shaded parts(■) are changed and added functions from previous ATE Series.

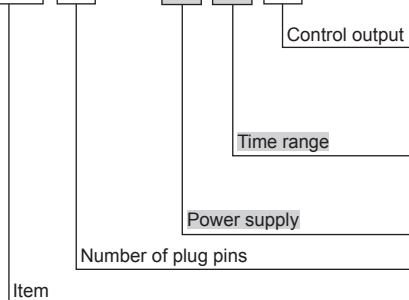


⚠ Please read "Safety considerations" in operation manual before using.



■ Ordering Information

ATE 8 - 4 3 D



No mark	Time limit SPDT (1c)+Instantaneous SPST (1a)
D	Time limit DPDT (2c)
E	Time limit SPDT (1c)+Instantaneous SPST (1c)
1	1 sec/10 sec/1 min/10 min/1 hour
3	3 sec/30 sec/3 min/30 min/3 hour
6	6 sec/60 sec/6 min/60 min/6 hour
C	12 sec/12 min/24 min/12 hour/24 hour
4	100-240VAC 50/60Hz, 24-240VDC
8	8-pin plug type
ATE	Analog timer

※Sockets (PG-08, PS-08(N)) are sold separately.

■ Specifications

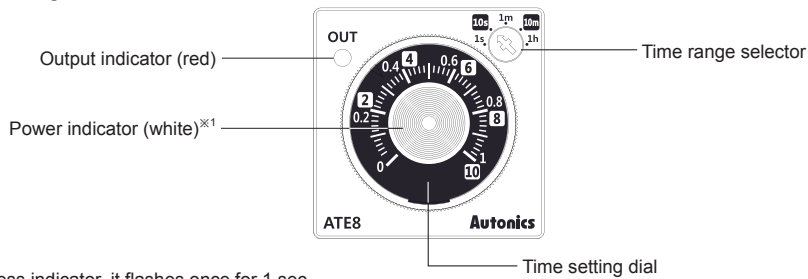
Model	ATE8-4□	ATE8-4□D	ATE8-4□E
Function	Power ON Delay Timer		
Control time setting range*1	0.1 sec to 24 hour		
Power supply	100-240VAC~ 50/60Hz, 24-240VDC---		
Permissible voltage range	90 to 110% of rated voltage		
Power consumption	Max. 3.5VA (100-240VAC~ 50/60Hz), Max. 2.0W (24-240VDC---		
Return time	Max. 200ms		
Time operation	Power ON Start		
Control output	Contact type	Time-limit SPDT (1c)+ Instantaneous SPST (1a)	Time-limit DPDT (2c)
	Contact capacity	250VAC~ 3A resistive load	
Relay life cycle	Mechanical	Min. 5,000,000 operations	
	Electrical	Min. 100,000 operations (250VAC 3A resistive load)	
Repeat error	Max. ±0.3% ±0.01 sec		
Set error	Max. ±5% ±0.05 sec		
Voltage error	Max. ±0.5% ±0.01 sec		
Temp. error	Max. ±2% ±0.01 sec		
Insulation resistance	Over 100MΩ (at 500VDC megger)		
Dielectric strength	2,000VAC 50/60Hz for 1min		
Noise immunity	±2KV the square wave noise (pulse width 1μs) by noise simulator		
Vibration	Mechanical	0.75mm amplitude at frequency 10 to 55Hz (for 1min) in each X, Y, Z direction for 1 hour	
	Malfunction	0.5mm amplitude at frequency 10 to 55Hz (for 1 min) in each X, Y, Z direction for 10 min	
Shock	Mechanical	300m/s ² (approx. 30G) in each X, Y, Z direction for 3 times	
	Malfunction	100m/s ² (approx. 10G) in each X, Y, Z direction for 3 times	
Environment	Ambient temp.	-10 to 55°C, storage: -25 to 65°C	
	Ambient humid.	35 to 85%RH, storage: 35 to 85%RH	
Protection structure	IP40 (front part, IEC standard)		
Approval	CE cRU US		
Weight*2	Approx. 122.2g (approx. 75g)		

※1: Refer to time specifications for control time setting range by model.

※2: The weight includes packaging. The weight in parenthesis is for unit only.

※Environment resistance is rated at no freezing or condensation.

Unit Description



※1: As time progress indicator, it flashes once for 1 sec.

Time Specifications

Model	Time range	Time unit	Time setting range	Model	Time range	Time unit	Time setting range
ATE8-41□	1	s	0.1 to 1 sec	ATE8-46□	6	s	0.6 to 6 sec
	10		1 to 10 sec		60		6 to 60 sec
	1	m	0.1 to 1 min		6	m	0.6 to 6 min
	10		1 to 10 min		60		6 to 60 min
ATE8-43□	1	h	0.1 to 1 hour	ATE8-4C□	6	h	0.6 to 6 hour
	3		0.3 to 3 sec		12		s
	30	3 to 30 sec	12		m	1.2 to 12 min	
	3	m	0.3 to 3 min			24	m
30	3 to 30 min		12	h	1.2 to 12 hour		
3	h	0.3 to 3 hour	24		h	2.4 to 24 hour	

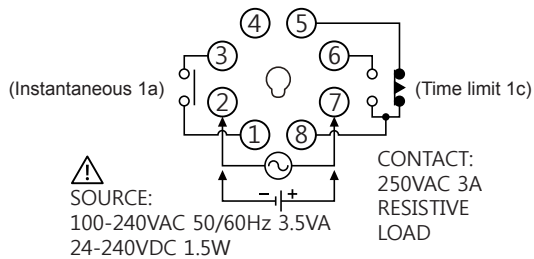
Operation Mode

[t: Setting time, Rt: Return time]

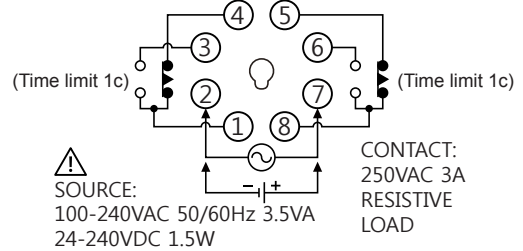
Model	Time chart
ATE8-4□	
ATE8-4□D	
ATE8-4□E	

Connections

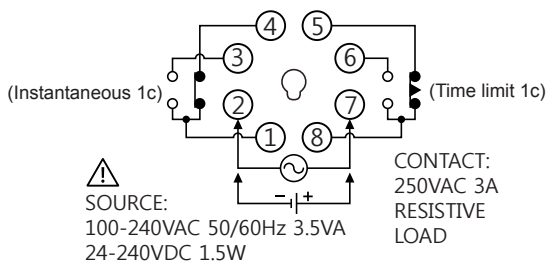
● ATE8-4□



● ATE8-4□D



● ATE8-4□E



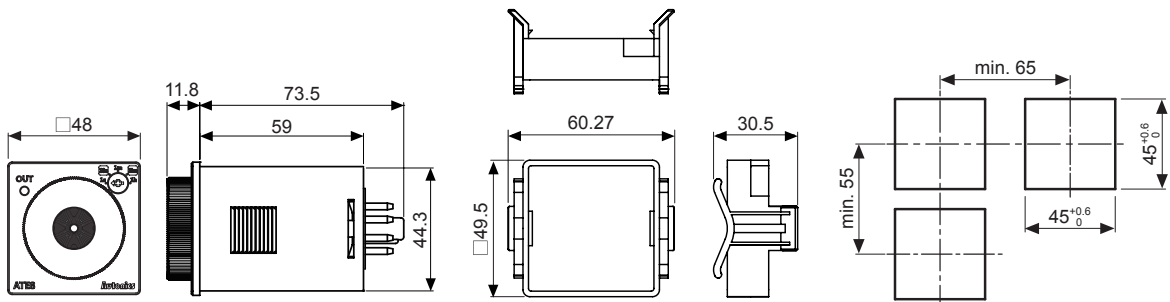
Dimensions

(unit: mm)

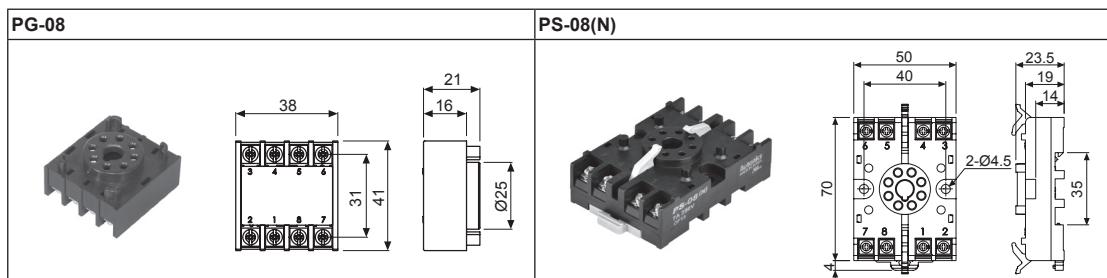
⊗ Nameplate design is changed and rear length is shorten than previous.

● Bracket (sold separately)(BK-S)

● Panel cut-out



● Socket (sold separately)



ООО "РусАвтоматизация"

454010 г. Челябинск, ул. Гагарина 5, оф. 507

тел. 8-800-775-09-57 (звонок бесплатный), +7(351)799-54-26, тел./факс +7(351)211-64-57

info@rusautomation.ru; rusavtomatizatsiya.pf; www.rusautomation.ru