

# OPERATING MANUAL

## S60ADH

### OPERATING MANUAL

Small Size Phone

Thank you for purchasing Q.Light product. Please read this manual carefully before installing this product for safe and long use.

#### 1 Pro

- Small sized product with ABS housing and can be easily installed in a limited space.
- Realizing strong buzzer sound with economic power by applying horn resonance structure.
- Material: Body-ABS
- Volume(MAX): 100dB/m
- Protection Class : IP54

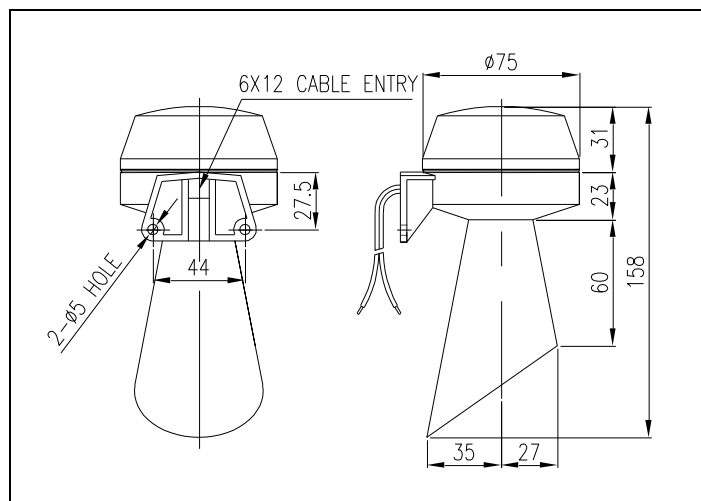
#### 2 Spe

##### 1) S60ADH

##### ▪ General Specification

Model	Rated Voltage	Current	Weight	Volume (Max)
S60ADH	DC12V	0.083A	0.12Kg	100dB/m
	DC24V	0.042A		
	AC110V	0.016A	0.11Kg	
	AC220V	0.008A		

##### ■ S60ADH External View Drawing



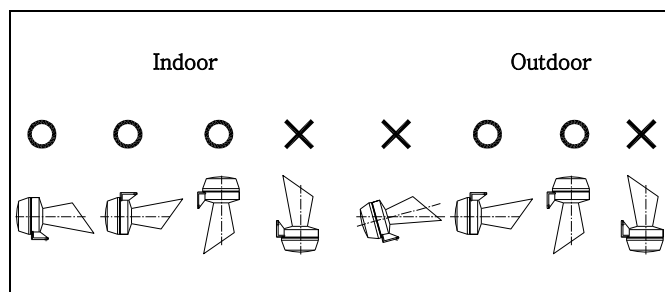
#### 3

Please connect Power line correctly by voltage type as below.

##### ► Power Line

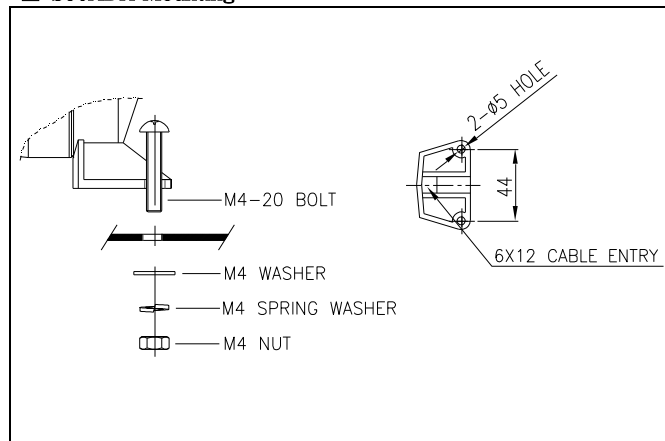
- In case of product using AC voltage:  
UL1015-NO.18(0.75sq) X 2C 400mm  
connect the line without Polarity(wire color).
- In case of product using DC voltage:  
UL1015- NO.18(0.75sq) X 2C 400mm  
black line is negative(-).

#### 4



- This product was manufactured with the structure for indoor use. Mounting also should be done only on the vertical standing direction.
- Outdoor use is limited at a place where no water or very little water percolates. Mounting also should be done only on the vertical standing direction.
- Mount at the place where exists low vibration, low impact, low moisture and low dust as long as possible.
- Please make a hole by a drill where you need to attach our product and refer to below picture for a hole size. (Make sure PCD from external view drawing.)
- Fix the product by using bolts and nuts(M4-2EA) enclosed with the product after checking the connection of power line and signal line. (Make sure the mounting drawing.)

##### ■ S60ADH Mounting



# OPERATING MANUAL

## 5 Caution

- If using voltage is seriously higher or lower than rated voltage, it can reduce the self-life of the product or can cause a problem on product operating. Make sure the using voltage does not exceed  $\pm 5\%$  of the rated voltage.
- If lens or body of the product is contaminated by chemicals such as thinner, benzene, the product can be damaged, discolored or deformed. Please be careful.
- Do not give strong impact to the product. It can be a reason of wire disconnection or short circuit.
- Do not strongly pull the wire out from the product. It can cause a disorder.

## 6 Trouble shooting

Situation	Main reason	Solution
No sound	Problem with Piezo	Contact Q.Light or Their Agent
	No Power Supply	Making Sure Power Supply

### For

#### Q-LIGHT CO., LTD.

<http://www qlightkr.com>

E-mail : [qlightkr@qlightkr.com](mailto:qlightkr@qlightkr.com)

#### Overseas Marketing Team /Plant

Tel) 055-328-4082 Fax) 055-328-4083

178-1 Woogye-Ri, Sangdong-Myun, Kimhae-Si,

KyungNam, Korea