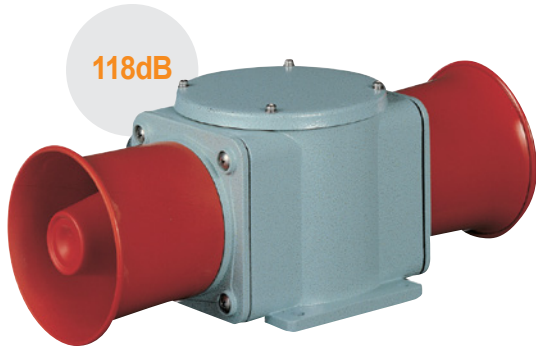


SHDN series

Dual-Facing Electric Horns for Vessels and Heavy Industry Applications



Aluminum housing



SHDN30

SHDN30 Max 118dB×2 Direct Mount Type

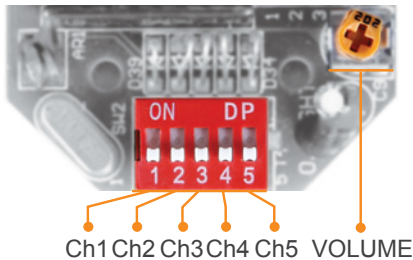
- Electric horn with tightly sealed structure and excellent durability, suitable for vessels, steel industry, and outdoor plant applications
- Aluminum housing provides excellent durability
- A variety of sound selection between warning sounds, alarm sounds, melodies and voice messages to fit your sophisticated application needs
- Terminals located inside the terminal box or product
- Cable entry : 1/2"PF
- Materials : Housing-AI, Horn housing-PC
- Can adjust sound volume with the switch built inside the unit
- Standard Housing color : MUNSELL No. 7.5BG 7/2
- Ambient operating temperature : -30°C to +50°C
- Protection rating : IP56, Suitable for outdoor installation

Model number	Sound pattern	Volume	Voltage / Current	Cer ificates	Weight
SHDN30	WS 5 Warning sounds	118dB×2	DC12V / 4.422A DC24V / 2.044A AC110V / 0.453A AC220V / 0.226A	-	DC-3.49kg AC-4.21kg
	WP 5 Special warning sounds	118dB×2			
	WM 5 Melodies	118dB×2			
	WA 5 Alarms	116dB×2			
	WV 5 Customizable sounds	113dB×2			

※ Please refer to page 22 for detailed information about selectable sound patterns.

Sound Selection Instructions

- Standard Type : Select sound using the switch inside of the unit. When you turn on the dip switch for each channel, the designated sound will be played.

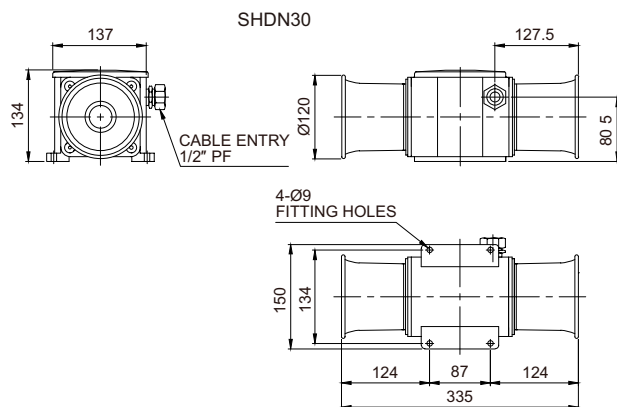


- Customized type : Select using the external contact(LC)
You can select the audible sound pattern using external contacts or transistor with a customized external sound line (Model number : -LC)
- Product can be wired regardless of polarity

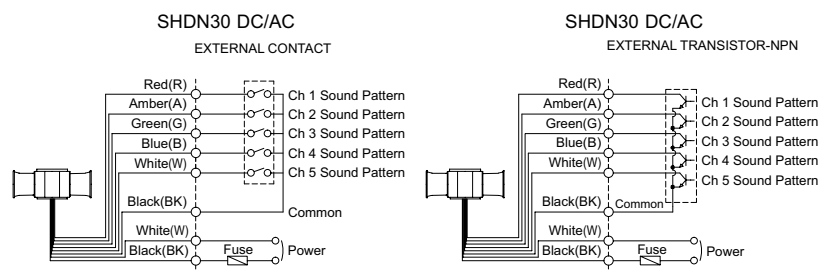
Customization

- Customized cable entry(3/4"PF) available
- Customized external sound line type available

Technical Diagram (Units : mm)



Wiring Instructions



Ordering Specification

SHDN30	WP	110	LC
[Model number]	[Sound]	[Voltage]	[Sound selection]
• SHDN30	• WS-Warning • WP-Special warning sounds • WM-Melody • WA-Alarm • WV-Customizable sound	• 12-DC12V • 24-DC24V • 110-AC110V • 220-AC220V	• Standard • -Built-in switch • LC • -External contact