

# OPERATING MANUAL

## SHDN30

OPERATING MANUAL

2 Faces Heavy Duty Signal Phone

Thank you for purchasing Q.Light product.  
Please read this manual carefully before installing this system for safe and long use of the product.

### 1 Product Feature

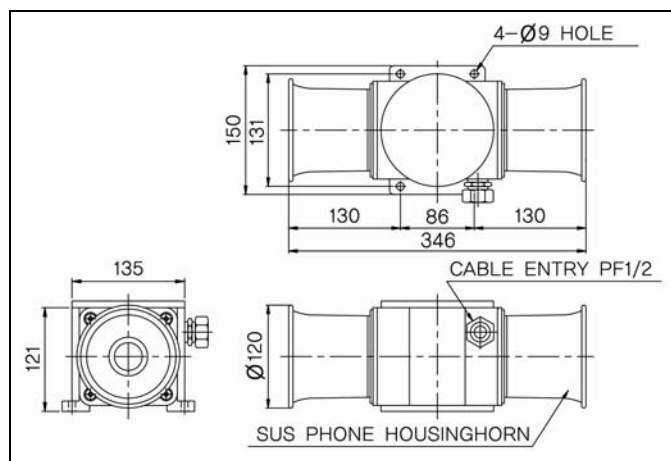
- Heavy-duty product of with both sided, high volume phones which is suitable for heavy cranes and transportation machinery.
- Possible to control volume level by using the built-in volume controller..
- Standard Body Color : MUNSELL NO. : 7.5BG 7/2
- Standard Horn Housing Color : Red
- Material : Body- DIECAST AL., Horn Housing-SUS316L
- Volume : 113~118dB/1m x 2    • Protection Class : IP56
- Operating Temperature : -20°C~50°C

### 2 Specification & External View Drawing

#### • Product Specification

Model	Built-in Sound	dB	Rated Voltage	Voltage/Current	Weight
SHDN30	WS	5 Warning Sounds	118dB x2	·DC12V /2.140A ·DC24V /1.860A ·AC110V /0.252A ·AC220V /0.166A	DC -3.49Kg AC -4.21Kg
	WP	5 Special Warning Sounds	118dB x2		
	WM	5 Melodies	118dB x2		
	WA	5 Alarms	116dB x2		
	WV	3 Voice Signals	113dB x2		

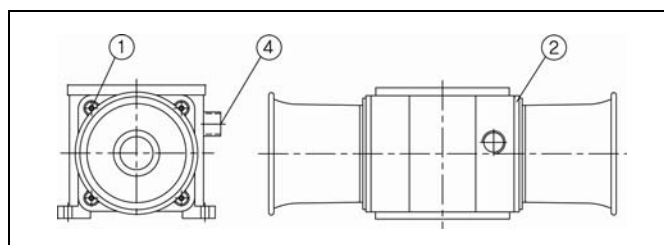
#### • External View Drawing



### 3 Sound Tone Specification

Model	Built-in Sound	CH	Sound Tone	dB
WS	5 Warning Sounds	ch1	Fire : A-ANG(Wail) Sound	118 dB x 2
		ch2	Emergency : WA-U Sound	
		ch3	Ambulance : PI-PO Sound	
		ch4	Machinery Fault : PI-PI Short Interval	
		ch5	Foam Release Alarm : PI~ Continuous	
WP	5 Special Warning Sounds	ch1	Fire : A-ANG(Wail) Sound	118 dB x 2
		ch2	Abandon Alarm~	
		ch3	Machinery Fault : PI-PI Short Interval	
		ch4	Foam Release Alarm : PI~ Continuous	
		ch5	General Alarm : Long PI after 7 Short PI	
WM	5 Melodies	ch1	Sweet Home	118 dB x 2
		ch2	For Elise	
		ch3	Cuckoos Waltz	
		ch4	Piano Sonata	
		ch5	Turkish March	
WA	5 Alarms	ch1	Beep(Intermittent)	116 dB x 2
		ch2	Door Chime	
		ch3	Phone Ring Sound	
		ch4	PI-PI-PI- (Short Interval)	
		ch5	Tripping Bead Sound	
WV	3 Voice Signals	ch1	Voice Recording & Replay 3 Channels	113 dB x 2
		ch2		
		ch3		

### 4 Structure Drawing



### 5 Wiring Instruction

Refer to above structure drawing together with below drawing and explanation for right operating.

- Make sure terminal plate inside the body of the product. Remove cover② by loosening cover bolt(M5-4EA)①.
- Treat the end of power cable by using "O" or "U" type terminal for safe wiring.
- Connect power cable to terminal plate③.
- In case of product using AC voltage, connect the line without polarity(wire color).
- In case of product using DC voltage, black line is negative(-).
- Keep the tightness of power entry⑧ by using water-proof connector(flexible connector #16 is supplied as a standard specification) or cable grand.
- Product can be damaged by water or dust if the cable entry is exposed outdoor without airtightening.
- Keep the tightness of power entry④ by using water-proof

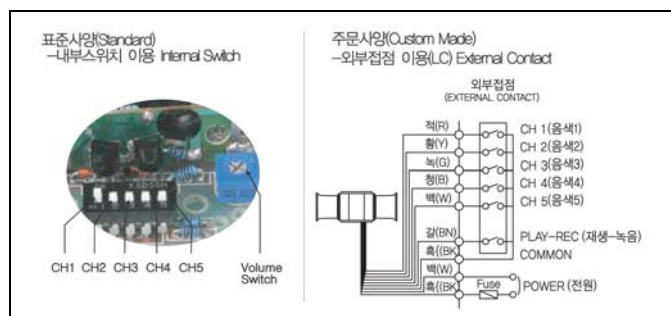
# OPERATING MANUAL

connector(flexible connector #16 is supplied as a standard specification) or cable grand.

Product can be damaged by water or dust if the cable entry is exposed outdoor without airtightening.

## ■ Wiring for LC(External Contact) Type – Custome Made

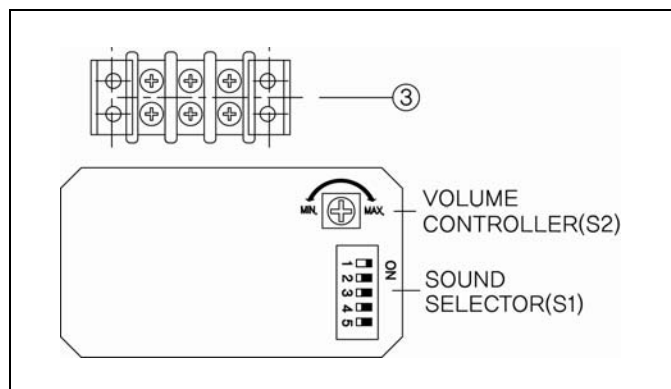
- In case of LC type which selects sound tone by external contact, separate signal(sound tone) line come out. Connect each line as below.
- Signal Line : UL1007-NO.22(0.3sq) 400mm



## 6 Sound Tone Selection, Volume Control

This product has a volume controller and sound tone selection switch on assembling board for convenient use.

Refer to previous structure drawing, following drawing and explanation for right operating. In the first, remove cover ② by loosening horn cover bolt ① (Please refer to structure drawing)



### • Sound Tone Selection

5 Warning sound tones are built-in this product. In case of standard product, select preferable sound tone by using internal sound tone selection switch(S1).

### • Volume(dB) Control

Volume controller(S2) is built-in this product. Turn it clockwise for increasing volume or turn it counterclockwise for decreasing volume

## 7 Mounting

- This product is manufactured for outdoor use. But, install with vertical direction at a place or machine where exists no big vibration and no strong impact as long as possible.
- Refer to below information and drill necessary mounting holes on profitable part of the product.  
(Make sure PCD from external view drawing.)
- Fix the product by using separate mounting bolt(M8-4EA).

## 8 Caution

- This product is explosion-proof, water-proof and anti-corrosion type. When separate and assemble the product for wiring, repair or check, keep the airtightness of the product by tightening each bolt and nut.
- If using voltage is seriously higher or lower than rated voltage, it can reduce the self-life of the product or can cause a problem on product operating. Make sure the using voltage does not exceed +/- 5% of the rated voltage.
- If lens or body of the product is contaminated by chemicals such as thinner, benzene, the product can be damaged, discolored or deformed. Please be careful.

## 9 Troubleshooting

Situation	Main Cause	Solution
Sound Tone Deterioration or Volume Decreasing	Supplying Voltage Lower Than Rated Voltage	Making Sure Using Voltage
	Wrong Selecting Voltage Selection Switch to 220V (In Case of AC Type)	Selecting Voltage Selection Switch to 110V
Higher Volume(dB) than Standard	Supplying Voltage Higher than Rated Voltage	Making Sure Using Voltage
Double Sound Tone	Short Circuit of Sound Tone Signal Line	Making Sure Wiring
	Error on Sound Tone Selection Switch	Contact Q.Light or Their Agent
No Sound	Wrong Wiring	Making Sure Wiring
	No Power Supply	Making Sure Power Supply
	Problem with Horn	Contact Q.Light or Their Agent

## — For A/S & Information on Product

### Q-LIGHT CO., LTD.

<http://www qlightkr.com>

E-mail : [qlightkr@qlightkr.com](mailto:qlightkr@qlightkr.com)

Seoul Office (Domestic Sales & A/S)

Tel) 02-2679-6152

Ansung BD A-312, 410-13 Sindorim-Dong, Guro-Gu, Seoul

Overseas Marketing Team / Plant

Tel) 055-328-4082 Fax) 055-328-4083

Plant #1 : 178-1 Woogye-Ri, Sangdong-Myun, Kimhae-Si, KyungNam, Korea

Plant #2 : 417-1 Geumsa-Dong, Geumjung-Gu, Busan