



ZN-5X | SERIES Ø50mm

Signal Light/Monomer Multicolor

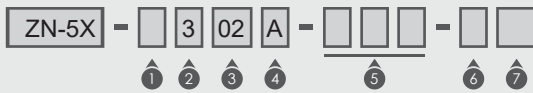
Small appearance design, suitable for small precision equipment
 The color is bright and has good warning effect
 The color of the signal cable corresponds to that of the lamp, which facilitates wiring
 Single layer can display multiple colors, saving device space
 Collapsible installation, convenient transportation of equipment



Technical Parameters

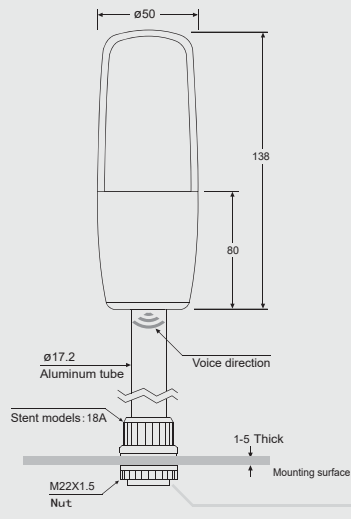
Standard	IEC/EN 61000-6			
Signal	CE			
The environment temperature	Storage	-40°C~+70°C		
	Operating	-25°C~+55°C		
Operating humidity	45 to 85%RH			
Degree of Protection	IP65 Watertight/Oiltight			
Material	Lampshade	PC		
	Light body	ABS		
Light source	LED			
Rated insulation voltage	IEC60947-1	>800V		
Voltage range	IEC60947-5-1	V0.85~1.10Un		
Rated Voltage		12V/DC	24V/DC	
	LED Current	Red	30mA	18mA
		Yellow	30mA	18mA
		Green	30mA	18mA
		Blue	30mA	18mA
White		30mA	18mA	
Surge current	All Colors	100mA	100mA	
Buzzer	Current	18mA		
	Volume	85dB		
Electrical life	About 50,000 hours			
Connection mode	Wire	UL1007 AWG22 (L=800mm)		
	Aviation plug	M12-5Pin / M12-8Pin		

Select Code



- ① Body color : None = Black
A = White
- ② Number of colors: 1 = 1 Color
2 = 2 Colors
3 = 3 Colors
- ③ Voltage: 01 = 12V/DC
02 = 24V/DC
- ④ Sound way: None = Sound way
A = Continuous tone
B = Intermittent sound
- ⑤ Color: Red = R
Yellow = Y
Green = G
Blue = B
White = W
- ⑥ Stent models: None = Direct mount
A = 28A — E = 18E
B = 18B — J = 18J
C = 18C — K = 18K
D = 18D — L = 18L
Z = 18Z
- ⑦ Aluminum tube length: 10 = 10cm
20 = 20cm
30 = 30cm
40 = 40cm

Rod mount



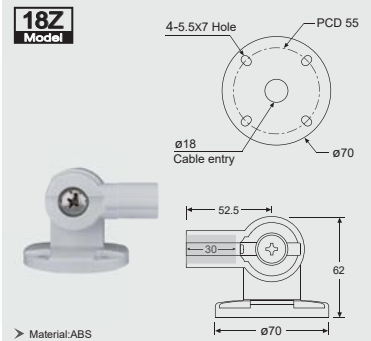
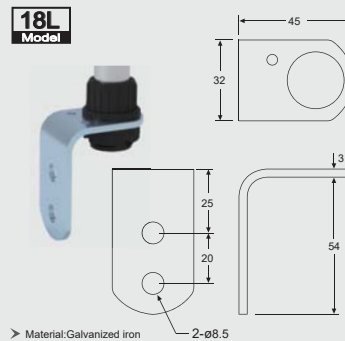
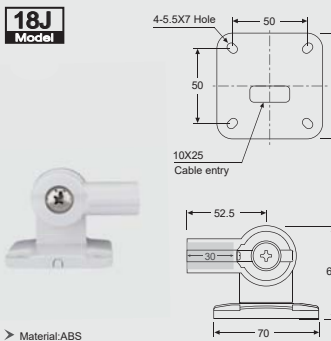
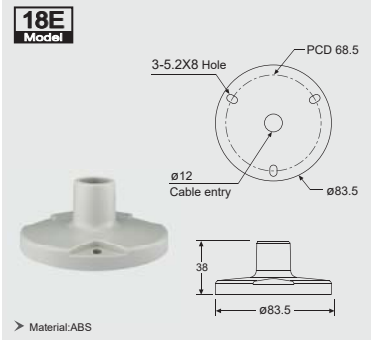
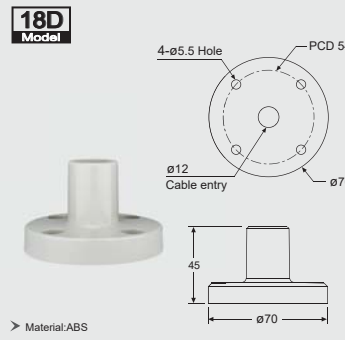
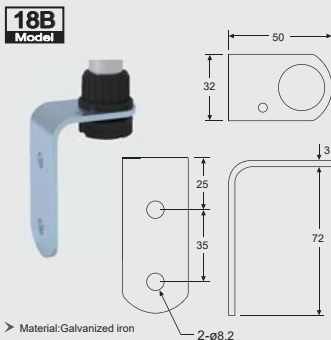
• Stent models **18A Model**



⚠ 18A must be used with aluminum tube

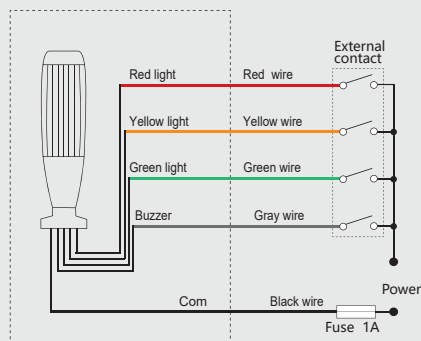
Adjustable mounting bracket:
18A 18B 18C 18D 18E 18J 18K 18L 18Z

Support model size diagram Unit: mm

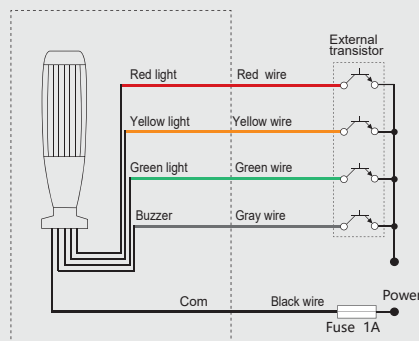


Wiring Diagram

External contact



NPN transistor



PNP transistor

