

Linking your system



### Product Features



#### LS0 Float level switches:

- Concise structure, delicate design
- Durable operations, and perfect fuction, long service life, more than 2 million times
- Resistance to acid and alkali and anticorrosive

#### LS1 Float level switches:

- Stable operations, and perfect fuction, long lifetime
- Resistance to acid and alkali and anticorrosive
- Enhance the electromagnetic interference
- Stainless steel float material

### Operating Principle

**LS0 type:** The magnetic reed switch is hermetically sealed in a stem, the float encases a sealed magnet is fixed on the tube relevant position of magnetic reed switch. Because of the buoyancy, the float will move up and down within limits along with the liquid level rises and falls, at the same time, with the magnet in it attracts the magnetic reed switch to generate switching action to control the level of liquid. The Normal Open or Normal Closed is determined by the installation of the float.

**LS1 type:** It is composed of detecting part and output part and operate on the basic buoyancy principle, As the float rises or falls with liquid level, The mutex movement between magnet before microswitch and the magnet at the end of float ball arm in the junction box will push the microswitch to generate two sets of "Normal Open" or "Normal Closed" signal output, one set is for user's control signal and another is for synchronous indicator light signal output.

### Applications

They are extensively installed in the fuel tanks, oil-pressure equipments, chemical and cooling vessels, etc. Furthermore, they are mostly used to detect liquid substance such as water, oil and chemicals.

### Wiring

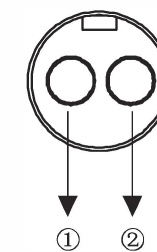
## Float Level Switches



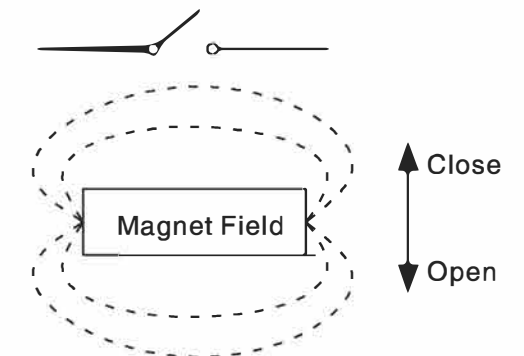
LS series is featured for concise structure, delicate design, durable operations, and perfect fuction. They are extensively installed in the fuel tanks, oil-pressure equipments, chemical and cooling vessels, etc. Further more they are mostly used to detect substance such as water, oil and chemicals. When the liquid level up to the upper limit or down to the low limit, the controller will send out signal or control the pump or valve. Float level switch is suitable for detecting the level of small tanks. SPDT relay have the ability to control two 0.5 Amps loading, one normal open, the other one normal closed.



#### Operating principle



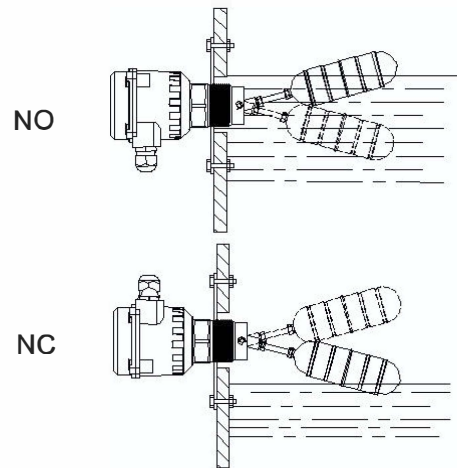
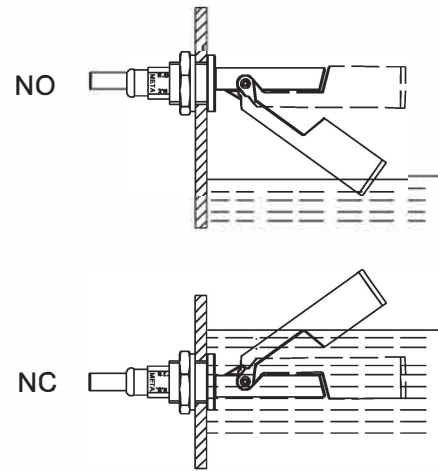
- ① Brown wire ..... Positive pole
- ② Blue wire ..... Negative pole



**Connection**

LS series is outputted by magnet reed, and the user can choose the status of NC or NO by the way of mounting. It can connect to the control system such as PLC, Relay, etc.  
 Precision : ± 3mm under water  
 Repetition: ± 1mm under water

The type of output, NO or NC, is defined by the way of mounting. The contact of this product can connect to the other control units.

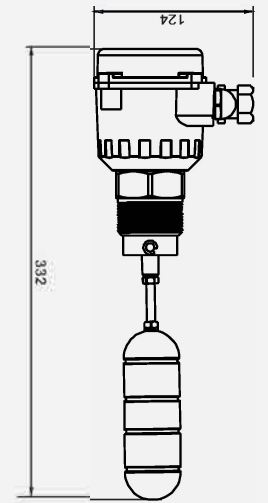
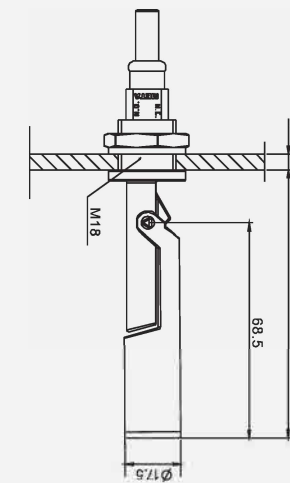


**Accessories**

Type	Flange	Order No.	Drawing
LS1001 LS1002		S4F0	

Type	Fixture	Order No.	Drawing
LS1001 LS1002		S0C0	

**Dimensions (mm)**

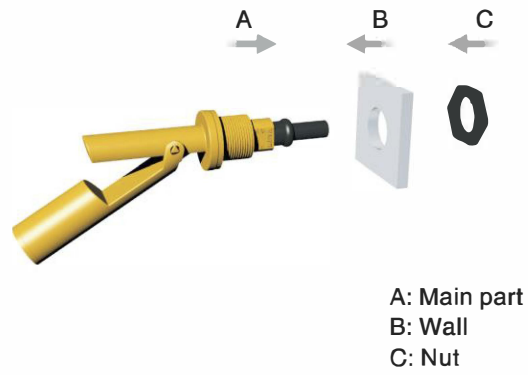


Model	LS0		LS1	
	Order no	LS0001	LS0003	LS1001
Type	Standard	Anti-strong acid / alkali	Standard	Standard
Connection	M18		G1 1/2 "A	
Cable entrance	1M PVC Cable	1M PUR Cable	M20 × P1.5	
Electric Design	AC / DC		AC / DC	
Output	NO / NC		NO / NC	
Operating pressure	MAX.240VAC/200VDC		19~60VDC/14~250VAC	
Current loading	0.5A (240VAC/DC )		3(1)A/250VAC	
Switch Capacity	70W		---	
Sensing degree	± 30°		± 15°	
Ambient pressure (bar)	10		10	
Contact resistance (Ω)	80		---	
Storage humidity	20%~70%		20%~70%	
Operating humidity	20%~70%		20%~70%	
Operating temperature(°C)	-20~80	-20~100	-20~200	-20~200
Ambient temperature(°C)	-20~80	-20~100	-20~200	-20~200
Housing material	PBT	PP	Aluminium	Aluminium
Float material	PBT	PP	SS 304	SS 316

Notice : PP is suitable for condition of PH value from 0~14.

Mounting

LS0 Float Level Switches



LS1 Float Level Switches

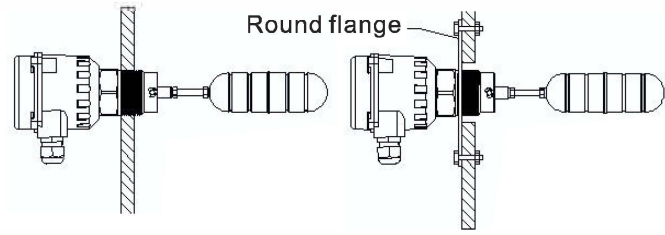
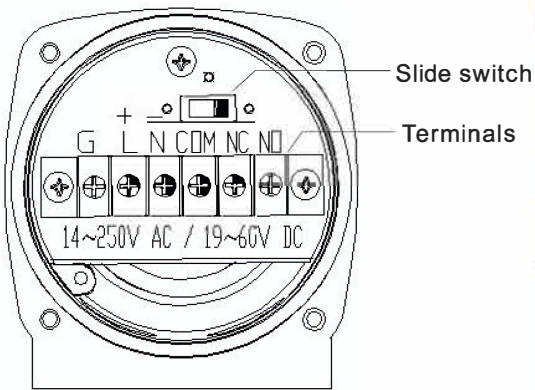


Fig.1 Standard mounting Fig.2 Mounting with flange

Terminal Mounting



Terminal	Sign	Description
1	G	Connect the ground wire to the housing
2	L+	DC: 19~60V, AC: 14~250V
3	N-	Connect terminal 2 to power "+" while inputting the DC.
4	COM	Common Terminal
5	NC	When this product is mounted on the wall of the tank with the indicator under, it is the status of NO output. Then choose type of indicator operation between continuous bright or continuous dim via slide switch.(Fig.3)
6	NO	When this product is mounted on the wall of the tank with the indicator upper, it is the status of NC output. Then choose type of indicator operation between continuous bright or continuous dim via slide switch. (Fig.4)