

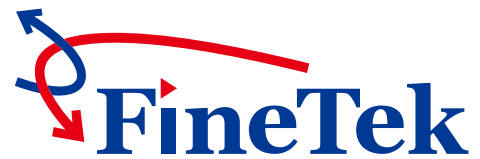


www.fine-tek.com

# Optical Level Switch



RusAutomation



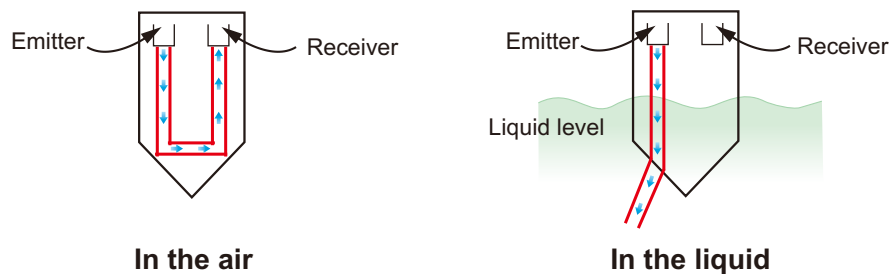
Innovation · Quality · Sharing

# INTRODUCTION

## WORKING PRINCIPLE

The optical liquid level switch uses the principle of total reflection in a prism. Reflection or penetration, is the basis of the level alarm output. When the sensor is surrounded by air, the angle of incidence is greater than the critical angle and thus total reflection occurs.

Totally reflected light will be transmitted to the receiver. Conversely, when the sensor is surrounded by liquid, due to the refractive index of the liquid and the sensor tip material, almost all light will penetrate the front of the sensor. Using this principle, the optical liquid level switch design is based on light. The receiver can detect and determine a light reflected or penetrated state, and determines the circuit output.



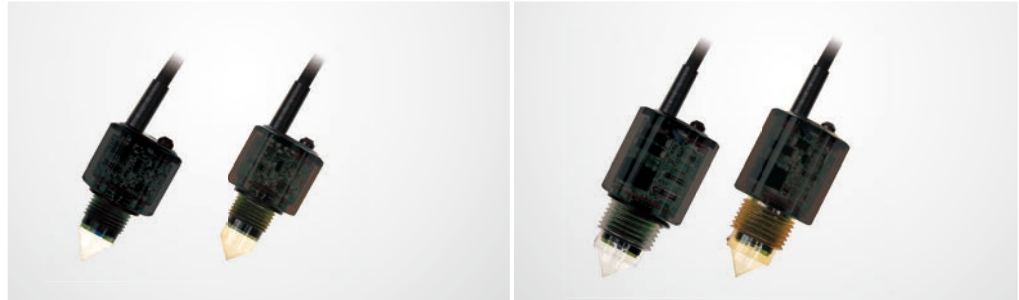
## FEATURES

- Simple, compact, and robust
- No moving parts
- Built-in, solid-state electronics
- Easily removed, cleaned, and reinstalled
- LED switch indication

## APPLICATIONS

- Pharmaceutical systems
- Air conditioning systems
- Industrial compressors
- Food and beverage systems
- Hydraulic reservoirs
- Machine tools
- Liquid holding tanks
- Processing and packaging equipment
- Heavy duty automotive
- Sumps

# SD20 SPECIFICATION



|                                |   |      |
|--------------------------------|---|------|
| <b>Housing material</b>        | PC / PES  |      |
| <b>Tip material</b>            | PC / PES  |      |
| <b>Supply voltage</b>          | 10~28 Vdc   |      |
| <b>Load current</b>            | ≤100 mA   |      |
| <b>Current consumption</b>     | <15 mA  |      |
| <b>Output mode</b>             | NPN / PNP   |      |
| <b>Output function</b>         | NO / NC   |      |
| <b>Electrical protection</b>   | reverse polarity protection, short circuit protection     |      |
| <b>Ambient temp.</b>           | -10~80 °C   |      |
| <b>Operation temp.</b>         | -10~125 °C  |      |
| <b>Process pressure</b>        | <10 kg / cm <sup>2</sup>                                  |      |
| <b>IP rating</b>               | IP 67   |      |
| <b>Indicator light</b>         | Red LED   |      |
| <b>Cable specifications</b>    | PVC, 24 AWG, L=2 m, 3C<br>(blue, green, black, and brown) |      |
| <b>Installation torque</b>     | 50 kgf-cm   |      |
| <b>Thread options</b>          | PT / PF / NPT   |      |
| <b>Connection size</b>         | M12x1.0   | 3/8" |
| <b>UL File Number</b>          | SA44153   |      |
| <b>Dimension<br/>(Unit:mm)</b> |   |      |

※PES(polyethersulfone) is similar PSU(polysulfone), but its heat resistance, strength, and stiffness is better.

# SD20 SPECIFICATION



|                                |   |      |
|--------------------------------|---|------|
| <b>Housing material</b>        | SUS304 / SUS316   |      |
| <b>Tip material</b>            | PES   |      |
| <b>Supply voltage</b>          | 10~28 Vdc   |      |
| <b>Load current</b>            | ≤100 mA   |      |
| <b>Current consumption</b>     | <15 mA  |      |
| <b>Output mode</b>             | NPN / P NP  |      |
| <b>Output function</b>         | NO / NC   |      |
| <b>Electrical protection</b>   | reverse polarity protection, short circuit protection     |      |
| <b>Ambient temp.</b>           | -10~80 °C   |      |
| <b>Operation temp.</b>         | -10~125 °C  |      |
| <b>Process pressure</b>        | <40 kg / cm <sup>2</sup>                                  |      |
| <b>IP rating</b>               | IP 67   |      |
| <b>Indicator light</b>         | Red LED   | N/A  |
| <b>Cable specifications</b>    | PVC, 24 AWG, L=2 m, 3C<br>(blue, green, black, and brown) | N/A  |
| <b>Installation torque</b>     | 100 kgf-cm  |      |
| <b>Thread options</b>          | PT /PF / NPT  | PF   |
| <b>Connection size</b>         | 3/8"  | 1/2" |
| <b>UL File Number</b>          | SA44153   |      |
| <b>Dimension<br/>(Unit:mm)</b> |   |      |

# SD20 SERIES

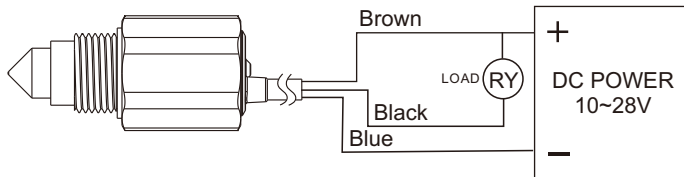
## FEATURE

- NPN, PNP open collector output to energize relay or PLC
- Housing material of PC, PES, SUS304, SUS316 for applicable in water, oil, liquid solution, liquor, alcohol, organic solvent...etc.
- PC, PES for acidity and alkaline
- Over-current and reverse polarity protected
- LED status indication

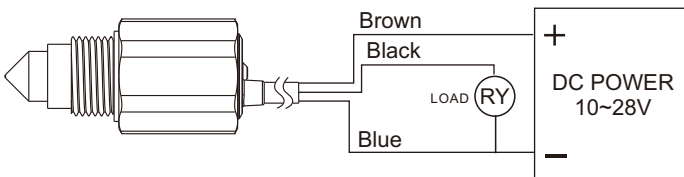
## WIRING

- Lead wire

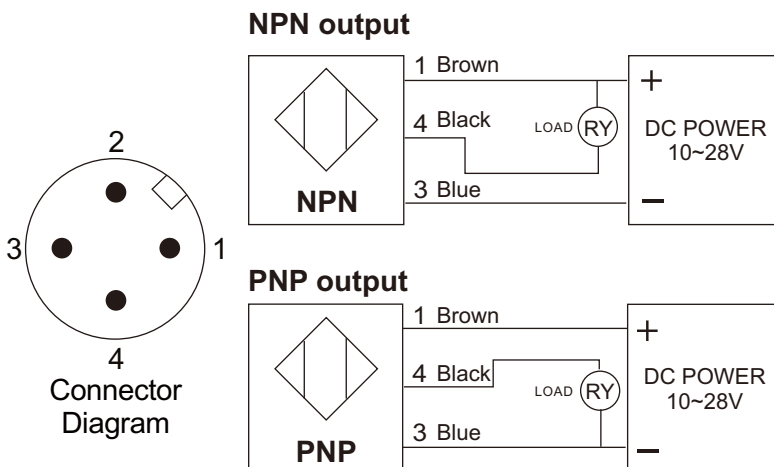
### NPN output



### PNP output



- M12x1 connection



## MODEL NUMBER / ORDER CODE COMPARISON TABLE

---

---

---

---

---

---

---

---

| Model Number | Order Code        |
|--------------|-------------------|
| SD20P        | SDX1003A-□□□□□□11 |
| SD20G        | SDX1003A-□□□□□□35 |
| SD204        | SDX1003A-□□□□□□MA |
| SD206        | SDX1003A-□□□□□□MB |
| SD215        | SDX2003A-□□□□□□MA |
| SD217        | SDX2003A-□□□□□□MB |
| SD220        | SDX4003A          |



# SD21 SPECIFICATION



| Model                           | Cable type  | M12 connection type |
|---------------------------------|---|---------------------|
| Tip material                    | Glass   |                     |
| Body material                   | SUS304 / SUS316   |                     |
| Supply voltage                  | 10 ~ 28 Vdc   |                     |
| Load current                    | ≤ 200 mA  |                     |
| Current consumption             | < 25 mA   |                     |
| Output mode                     | NPN / PNP   |                     |
| Output function                 | NO + NC   |                     |
| Electrical protection           | reverse polarity protection, short circuit protection                           |                     |
| Delay time                      | 5 sec ± 1 sec (optional)  |                     |
| Ambient temp.                   | -20~80 °C   |                     |
| Operating temp.                 | -20~100 °C  |                     |
| Working pressure                | < 60 bar  |                     |
| Anti-ambient light interference | < 500 lux   |                     |
| IP rating                       | IP 67   |                     |
| Indicator light                 | Red LED   | N/A                 |
| Cable specifications            | Silicone rubber jacket,<br>24 AWG, L=2 m, 4C<br>(blue, green, black, and brown) | N/A                 |
| Installation torque             | 75 kgf-cm   |                     |
| Thread options                  | PT / PF / NPT   |                     |
| Connection size                 | 3/8" / 1/2"   |                     |
| UL File Number                  | SA44153   |                     |
| Dimension<br>(Unit: mm)         |   |                     |



# SD21 SERIES

## FEATURES

- NPN / PNP output selection can be connected to the relay or PLC.
- This product provides both NO and NC output for selection.
- Products made of glass and SUS 304/316, diesel fuel, waste water, aqueous solution, alcoholic solution.
- Includes power polarity and over current protection.
- LED indicates contact status.
- There are general cloudy and turbidity for option.
- You can measure turbid solutions.
- Also output a delayed-type output can be selected.

## WIRING

| Type       | High position delay |  | Low position delay |  | Standard type |  |
|------------|---------------------|--|--------------------|--|---------------|--|
| Position   |                     |  |                    |  |               |  |
| LED        |                     |  |                    |  |               |  |
| Green wire |                     |  |                    |  |               |  |
| Black wire |                     |  |                    |  |               |  |

| Output function | Wire color | Wiring |  |  |
|-----------------|------------|--------|--|--|
| NO              | Green      |        |  |  |
| NC              | Black      |        |  |  |

# ORDER INFORMATION

## Glass Probe

SDX 2 0 0 <sup>07</sup><sup>08</sup>-<sup>09</sup><sup>10</sup><sup>11</sup><sup>12</sup><sup>13</sup><sup>14</sup><sup>15</sup><sup>16</sup><sup>17</sup><sup>18</sup><sup>19</sup><sup>20</sup><sup>21</sup><sup>22</sup><sup>23</sup><sup>24</sup><sup>25</sup>

<sup>07</sup> <sup>08</sup> **Certification**

00: None  
3A: UL

**Connection**

<sup>09</sup> <sup>10</sup>

AA: JIS  
AC: ANSI

<sup>11</sup> <sup>12</sup>

A4: 3/8"  
A5: 1/2"

<sup>13</sup> <sup>14</sup>

01: PT male  
03: PF male  
07: NPT male

<sup>15</sup> <sup>16</sup> **Body and Probe material**

MA: glass+SUS304  
MB: glass+SUS316

<sup>17</sup> **Power supply**

A: 10~28Vdc

<sup>18</sup> **Output**

P: PNP  
N: NPN

<sup>19</sup> **Wiring**

A: Cable  
B: M12  
D: Cable + rub

<sup>20</sup> **Delay time**

A: No delay time  
B: High delay of 5 seconds  
C: Low delay of 5 seconds

<sup>21</sup> **Turbidity**

A: Standard  
B: Turbid

<sup>22</sup> <sup>23</sup> <sup>24</sup> <sup>25</sup> **Length**

| Code | Probe Length    |
|------|-----------------|
| 2000 | Standard 2000mm |
| 0000 | None            |

# SD22 SPECIFICATION



| Model                           | Typical  | Motor power detection   |
|---------------------------------|--|---|
| Tip material                    | Glass<br>Zinc-plated steel / SUS304 / SUS316   |   |
| Body material                   | PA66 glass fiber reinforced  |   |
| Supply voltage                  | AC 50/60 Hz 115 V ±20%<br>AC 50/60 Hz 230 V ±20%   |   |
| Relay specifications            | AC 240 V, 2.5 A, C300  |   |
| Switch life time                | 10 <sup>5</sup> switching cycles   |   |
| Ambient temp.                   | 40 ~ 85 °C   |   |
| Operating temp.                 | 40 ~ 100 °C or 120°C (<1h)   |   |
| Delay time (customization)      | -Relay ON after applying the supply voltage (3s ± 1s)<br>-Relay OFF after level continue missing (5s ± 1s) | -Relay ON after applying the supply voltage (3s ± 1s)<br>-Level monitoring after relay ON (30s ± 1s)<br>-Relay OFF after level continue missing (5s ± 1s) |
| Self-test function              | Yes  |   |
| process pressure                | 65 bar   |   |
| Anti-ambient light interference | < 500 lux  |   |
| IP rating                       | IP 65  |   |
| Cable specifications            | PVC, 18 AWG, L=1m, 5C color coded  | PVC, 18 AWG, L=1m, 6C color coded   |
| Installation torque             | 75 Nm  |   |
| Connecting screw                | 1/2" (PT, PF, NPT) / M20X1.5 mm  |   |
| Tip part weight                 | around 51 g  |   |
| Body part weight                | around 167 g   |   |
| UL File Number                  | SA44153  |   |
| Dimension (Unit:mm)             |  |   |

# SD22 SERIES

## APPLICATION

- SD22 uses optical technology to achieve level monitoring and is durable to shocks in the environment.
- Uniquely different design (2 separate parts) compared to the traditional optical switch model.
- SD 22's switch body can be removed while the tip remains installed on tank. No tank drainage or leakage required when removing switch.
- Intelligent process control for not only do liquid level detection, but also with other sensors connected in series so that the full system has protection.
- According to customer demand, adjustable delay time length.
- Self-test function.
- The device is able to detect whether sensor body and tip are installed incorrectly.
- The LED indicator is readily apparent users to see.
- Quick coupling provide faster installation and reliable fix.

|               | Color | Status     | LED lights |
|---------------|-------|------------|------------|
| <b>Power</b>  | Green | Supply in  | ON         |
| <b>Status</b> | Red   | High level | OFF        |
|               |       | Low level  | ON         |
|               |       | Error      | Blinking   |

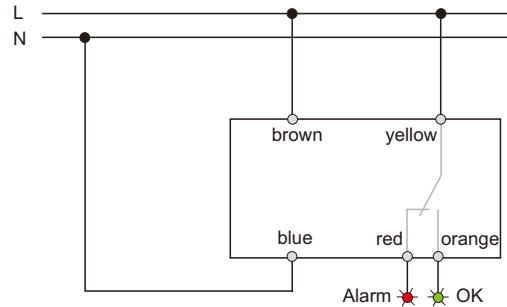
## WORKING FLOW

### ◆ SDB-B0□T□ (5 wire, typical)

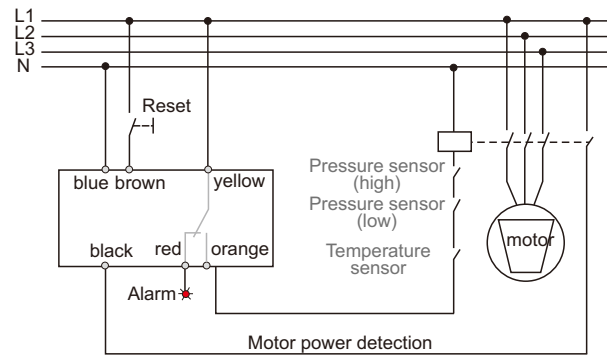
1. Three seconds after the power is turned on, the relay is on.
2. Liquid level detection, level required sustained low 5 seconds, the relay OFF and status light turns on.
3. Liquid level detection, level requires continuous contact for five seconds, the relay turns on, the status light turns off.

## WIRING DIAGRAM

### ◆ SDB-B0□T□ (5 wire, typical)

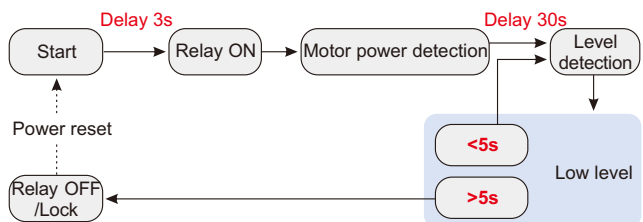
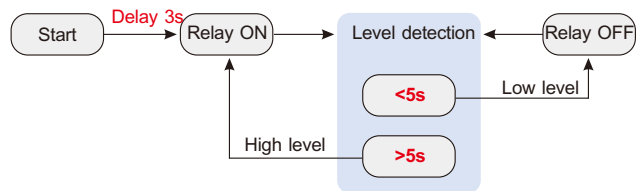


### ◆ SDB-B0□M□ (6 wire, motor power detection)



### ◆ SDB-B0□M□ (6 wire, motor power detection)

1. Three seconds after the power is turned on, the relay turns ON.
2. Detects the motor power supply is normal after a delay of 30 seconds to enter the liquid level detection state.
3. Liquid level detection, level required sustained low for 5 seconds, the relay turns off and status light is turned on lit, enters the Locked state.
4. Need to restart the power to cancel the alarm state and re-start the process.



# ORDER INFORMATION

## Refrigeration-glass Probe

SDX4 0 0   -                      

**⑦ ⑧ Certification**

00: None  
3A: UL

**Connection**

⑨ ⑩

AA: JIS  
AC: ANSI

⑪ ⑫

A5: 1/2"  
J2: M20

⑬ ⑭

01: PT male  
03: PF male  
07: NPT male  
B2: M12X1.5

**⑮ ⑯ Body and Probe material**

MA: glass+SUS304  
MB: glass+SUS316  
ME: glass+SUS Zinc +Plated steel

**⑰ Power supply**

A: Vac 115V  
B: Vac 230V

**⑱ Output**

R: Relay

**⑲ Function**

T: Typical (5 wire)  
M: Motor power detection (6 wire)

**⑳ Connector of tip and body**

A: Crew joint (F)  
B: Quick coupling (F)  
C: Crew joint (Glass welding)

**㉑ ㉒ ㉓ ㉔ Length**

| Code | Probe Length    |
|------|-----------------|
| 1000 | Standard 1000mm |

# ORDER INFORMATION

## Tip

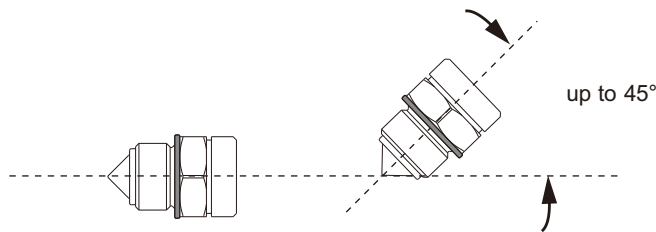
| Order Code   | Connector of tip and body                  | Connector type   | Power supply                 |
|--------------|--|--|------------------------------|
| Options      | A: Crew joint (F)<br>N: Quick coupling (F) | T: Typical (5 wire)<br>M: Motor power detection (6 wire) | AC115V ± 20%<br>AC230V ± 20% |
| SDXAA1X-0016 | A: Crew joint (F)                          | T: Typical (5 wire)                                      | AC230V ± 20%                 |
| SDXAA1X-0009 | A: Crew joint (F)                          | M: Motor power detection (6 wire)                        | AC115V ± 20%                 |
| SDXAA1X-0010 | A: Crew joint (F)                          | M: Motor power detection (6 wire)                        | AC230V ± 20%                 |
| SDXAA1X-0013 | N: Quick coupling (F)                      | T: Typical (5 wire)                                      | AC115V ± 20%                 |
| SDXAA1X-0014 | N: Quick coupling (F)                      | T: Typical (5 wire)                                      | AC230V ± 20%                 |
| SDXAA1X-0011 | N: Quick coupling (F)                      | M: Motor power detection (6 wire)                        | AC115V ± 20%                 |
| SDXAA1X-0012 | N: Quick coupling (F)                      | M: Motor power detection (6 wire)                        | AC230V ± 20%                 |

## Body

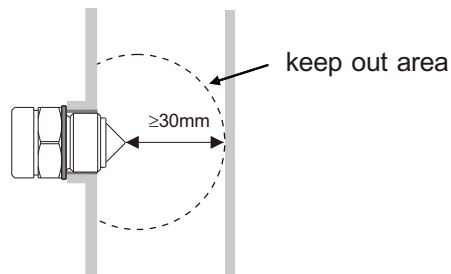
| Order Code         | Connector of tip and body                  | Connector type                                     | Power supply                                   |
|--------------------|--|--|--|
| Options            | A: Crew joint (F)<br>N: Quick coupling (F) | BQ:1/2"PT<br>BR:1/2"PF<br>BU:1/2"NPT<br>M2:M20X1.5 | 0: SUS304<br>6: SUS316<br>Z: Zinc-plated steel |
| SDXAM1A-MAA5030001 | A: Crew joint (F)                          | BR:1/2"PF  | 0: SUS304                                      |
| SDXAM1A-MAA5070001 | A: Crew joint (F)                          | BU:1/2"NPT   | 0: SUS304                                      |
| SDXAM1A-MPJ2820001 | A: Crew joint (F)                          | M2:M20X1.5   | Z: Zinc-plated steel                           |
| SDXAM1A-MAA5010001 | N: Quick coupling (F)                      | BQ:1/2"PT  | 0: SUS304                                      |
| SDXAM1A-MAA5030002 | N: Quick coupling (F)                      | BR:1/2"PF  | 0: SUS304                                      |
| SDXAM1A-MPA5030001 | N: Quick coupling (F)                      | BR:1/2"PF  | Z: Zinc-plated steel                           |
| SDXAM1A-MAA5070002 | N: Quick coupling (F)                      | BU:1/2"NPT   | 0: SUS304                                      |

# CAUTION

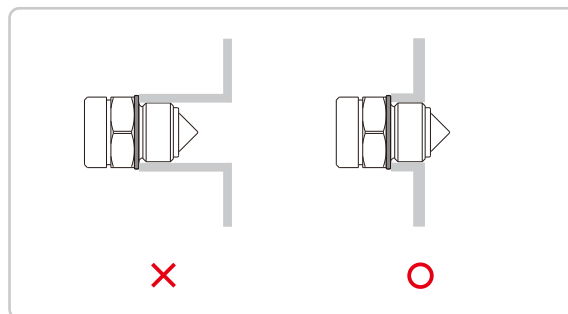
- Cable wiring to be done in accordance with the operating manual connection.
- SD22's parts and body part manually tightened (torque about 10Kgf-cm).
- During installation note that the cable outlet direction is downward.
- This product is not for solids in solution, solids containing adhesion of suspended or viscous liquids.
- Do not scratch the tip of sensor.
- SD21 turbid type and SD22 can measure 4000NTU standard turbidity solution.
- This product can not be used in the environment with an infrared light source.
- We recommend the following installation below. The horizontal plane parallel to the  $0^{\circ} \sim 45^{\circ}$  for optimal installation angle.



- This product can not be installed in the liquid at the flow entry point.
- Don't have any reflective surface or other interference at the front cone radius 30mm, as shown.
- The tip of optical level switches front of the sensor and the tank wall must be at least distance 30mm, as shown.

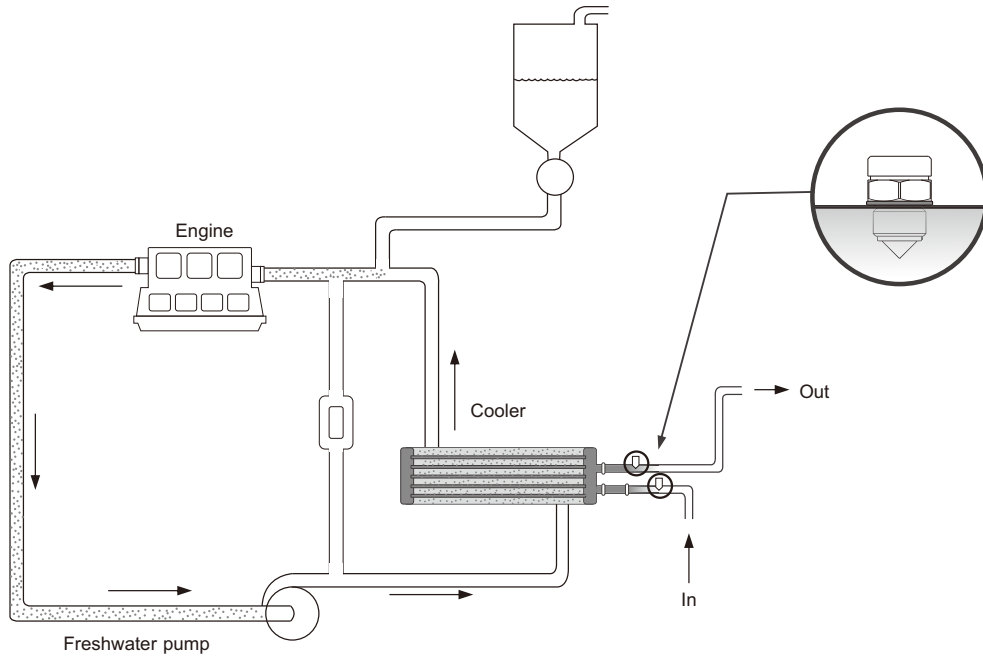


- Install the threaded sleeve photoelectric switch, the tip of switch must break the casing.

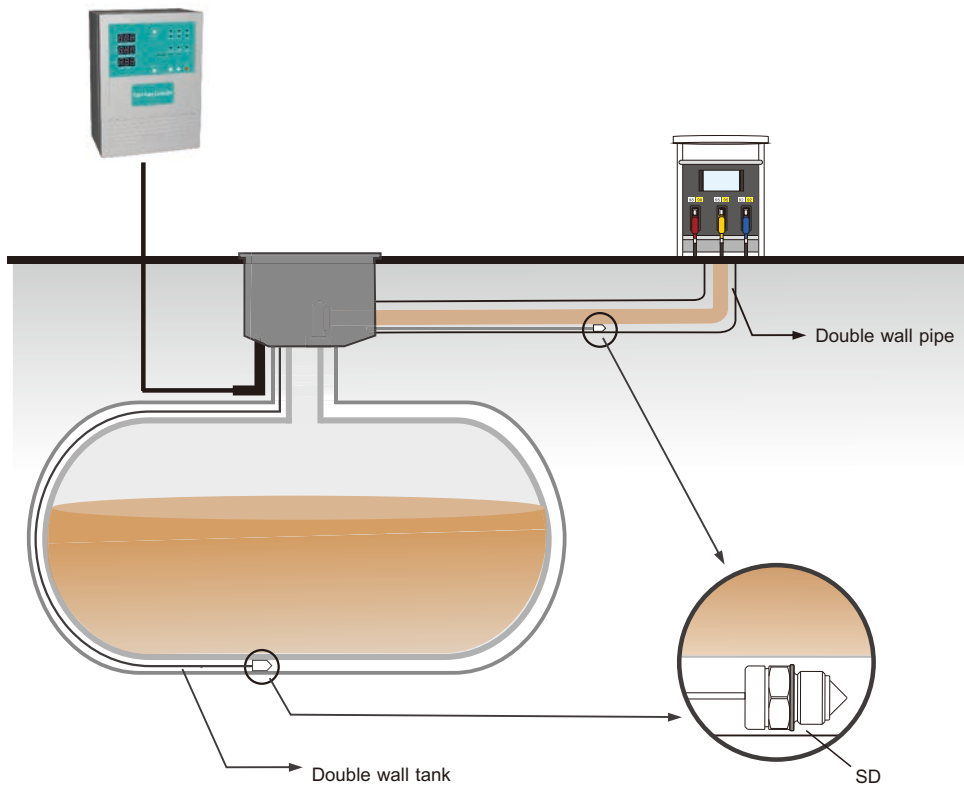


# APPLICATIONS

## Sea water cooling system



## Double-wall pipe and double-wall tank leakage detection



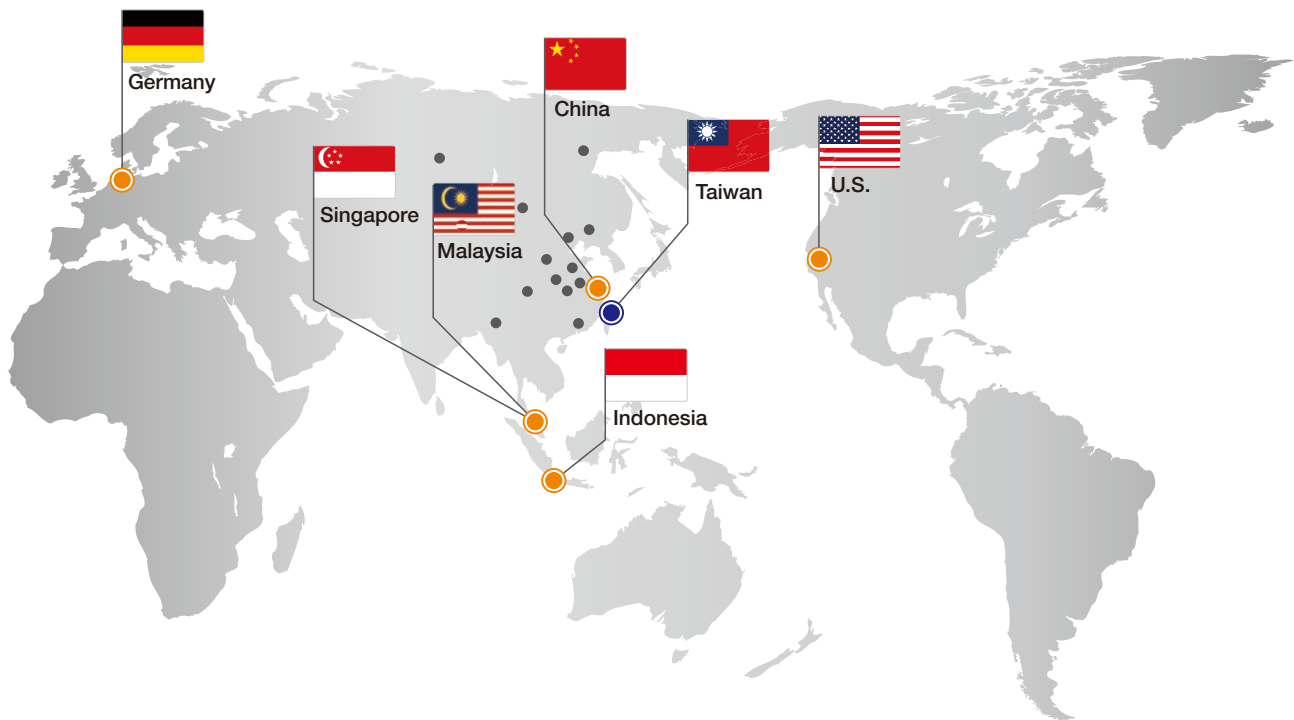


# APPENDIX

## M12 Cable list

| Item | Part number      | Connector type          | Length | Temperature | IP rating                | SD20 | SD21 |
|------|------------------|-------------------------|--------|-------------|--------------------------|------|------|
| 1    | PC312-1231415M01 | Right Angle<br>Straight | 5m     | 25 ~ +100°C | IP 67<br>IP 68<br>IP 69K | V    |      |
| 2    | PC312-2221410501 | Right Angle             | 5m     | 25 ~ +90°C  | IP67                     | V    | V    |
| 3    | PC312-1221415M01 | Straight                | 5m     | 25 ~ +90°C  | IP67                     | V    | V    |
| 4    | PC312-1221422M01 | Right Angle             | 2m     | 25 ~ +80°C  | IP67                     | V    | V    |
| 5    | PC312-2101422M01 | Straight                | 2m     | 25 ~ +80°C  | IP67                     | V    | V    |
| 6    | PC312-2101425M01 | Straight                | 5m     | 25 ~ +80°C  | IP67                     | V    | V    |
| 7    | PC312-2101421001 | Straight                | 10m    | 25 ~ +80°C  | IP67                     | V    | V    |

# Global Network



## ■ Asia

### ● Taiwan

#### **FineTek Co., Ltd. - Taipei Head Quarter**

No.16, Tzuchiang St., Tucheng Industrial Park  
New Taipei City 236, Taiwan  
TEL: 886 2 2269 6789  
FAX: 886 2 2268 6682  
EMAIL: info@fine tek.com

### ● China

#### **Fine automation Co., Ltd. - Shanghai Factory**

No.451 DuHui Rd, MinHang District, Shanghai,  
China 201109  
TEL: 86 21 6490 7260  
EMAIL: info.sh@fine tek.com

### ● Singapore

#### **FineTek Pte Ltd. - Singapore Office**

No. 60 Kaki Bukit Place, #07 06 Eunos  
Techpark 2 Lobby B, Singapore 415979  
TEL: 65 6452 6340  
EMAIL: info.sg@fine tek.com

### ● Indonesia

#### **FineTek Co., Ltd. - Indonesia Office**

Ruko Golden 8 Blok H No.38  
Gading Serpong, Tangerang, Indonesia  
TEL: 62 (021) 2923 1688  
EMAIL: info.id@fine tek.com

### ● Malaysia

#### **FineTek Co., Ltd. - Malaysia Office**

8 05, Plaza Azalea, Persiaran Bandaraya,  
Seksyen 14, 40000 Shah Alam, Selangor, Malaysiac  
TEL: 603 5524 7168  
EMAIL: info.my@fine tek.com

## ■ North America

### ● California, U.S.

#### **Aplus Finetek Sensor Inc. - US Office**

355 S. Lemon Ave, Suite D, Walnut,  
CA 91789  
TEL: 1 909 598 2488  
FAX: 1 909 598 3188  
EMAIL: info@aplusfine.com

## ■ Europe

### ● Germany

#### **FineTek GmbH - Germany Office**

Bei den Kämpen 26  
21220 Seevetal Ramelsloh, Germany  
TEL: +49 (0)4185 8083 12  
FAX: +49 (0)4185 8083 80  
EMAIL: info@fine tek.de

### ● Mütec Instruments GmbH - Germany Office

Bei den Kämpen 26  
21220 Seevetal Ramelsloh, Germany  
TEL: +49 (0)4185 8083 0  
FAX: +49 (0)4185 8083 80  
EMAIL: muetec@muetec.de



### ООО "РусАвтоматизация"

454010 г. Челябинск, ул. Гагарина 5, оф. 507  
тел. 8-800-775-09-57 (звонок бесплатный),  
тел.: (351)799-54-26, тел./факс (351)211-64-57  
info@rusautomation.ru; www.rusautomation.ru  
русавтоматизация.рф