

OPERATING MANUAL

SC2 (S125U+SEN15)

OPERATING MANUAL

Combination Light & Siren

Thank you for purchasing QLight product. Please read this manual carefully before installing this product for safe and long use.

1 Pro

- The normal product of standard warning light and siren integrated.
- Ensuring high revolving durability by applying a special power transmission system to minimize noise and wear which is gained a patent.
- Signal light diffusing effectiveness is high with using a vacuum coated reflector.
- Can control sound volume by the built-in volume.
- Sound(Max) : SER15-98~108dB/m
- RPM : 120~140RPM.(can control)
- Material : Lens-AS, Body-ABS, Reflector-Het resisting ABS, Horn Body-ABS
- Protection Class : IP44

2 Spe

1) SC2 (S125U+ SEN15)

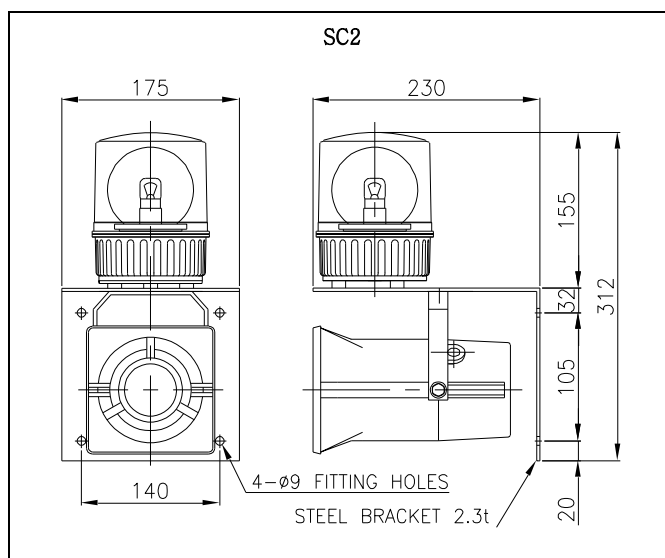
• General Specification of S125U

Model	Rated Voltage	Current	Bulb			Weight	Color
S125U	DC12V	0.966A	12V10W	T16x35 15S	9	0.41Kg	RED-R AMBER-A GREEN-G BLUE-B
	DC24V	0.566A	24V10W	T16x35 15S	10		
	AC110V	0.130A	12V10W	T16x35 15S	9	0.65Kg	
	AC220V	0.065A	12V10W	T16x35 15S	9		

• General Specification of SEN15

Model	Sound	Rated Voltage	Current	Weight
SEN15	WS 5 Warning Sounds	DC12V	0.366A	DC-0.76Kg AC-1.03Kg
	WM 5 Melodies	DC24V	0.266A	
	WA 5 Alarms	AC110V	0.077A	
	WV 3 Voice Signals	AC220V	0.038A	

• External View Drawing



3 Sound Tone Combination of Standard Product

	Main Built-in Sounds	CH	Sound Tone	DB(Max)
				SEN15
WS	5 Warning Sounds	ch1 ch2 ch3 ch4 ch5	Fire A-ANG Sound Emergency WA-U Sound Ambulance PI-PO Sound Machinery Fault PI-PI Sound High-Expansion Foam Release PI~ Sound	108dB
WM	5 Melodies	ch1 ch2 ch3 ch4 ch5	Sweet Home For Elise Cuckoo Waltz Piano Sonata Turkish March	108dB
WA	5 Alarms	ch1 ch2 ch3 ch4 ch5	Beep. intermittent Door chime Phone Ring sound PI PI PI. short interval Tripping bead sound	105dB
WV	3 Voice Signals	ch1 ch2 ch3	Voice recording 3 channels	98dB

4 Wiring Instruction

Power lines of warning light and horn come out from the product separately.

1) Warning light S125U connection

- Power line: UL1015-NO.18(0.75sq) X 2c 400mm
- In case of product using AC voltage, connect the line without Polarity (wire color).
- In case of product using DC voltage, black line is negative(-).

OPERATING MANUAL

2) Horn SEN15 connection

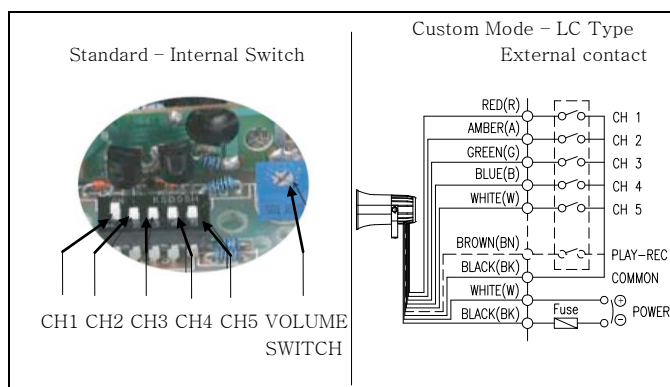
- Power line: VCTF(0.75sqX2C) 400mm
- In case of product using AC voltage, connect the line without Polarity (wire color).
- In case of product using DC voltage, black line is negative(-).
- This product has a cord connector at the cable entry. It must keep airtight between cable and connector by pinching connector.

■ Custom-made (LC) connection way to select sound by external contact point

- Custom-made(LC) which select sound by external contact point comes out power line and signal line outside. Please see below picture to connect.
- Power line: UL1015-NO.18(0.75sq)X2C 400mm
- Signal line: UL1007-NO.22(0.3sq) 400mm

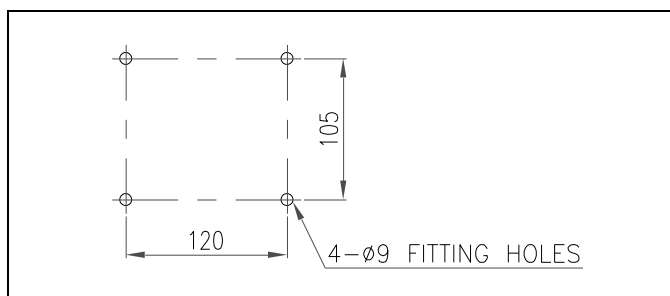
※ Warning!

If you connect power line to Common line and each signal line, there's a sound badness. So please be careful.



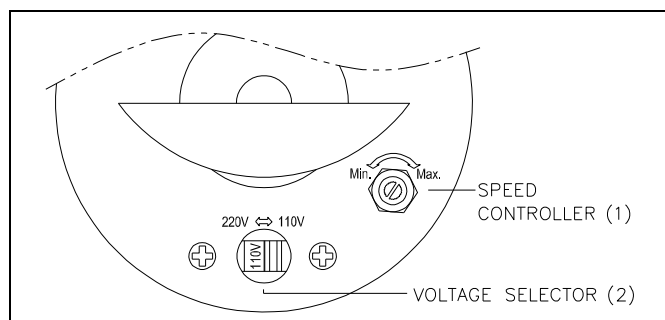
5 Mounting

- This product was manufactured for usual outdoor use. If possible, install it at the place where exist low vibration, low impact, low moisture and low dust.
- Please make a hole by a drill where you need to attach our product and refer to below picture for a hole size. (Make sure PCD from external view drawing.)
- Fix the product by using another nuts (M8-4EA).



6 Control revolving speed, Selecting voltage(AC), Changing bulb

Warning light S125U has SPEED CONTROLLER (1) for controlling of revolving speed and VOLTAGE SELECTOR (2) for changing voltage selection on the assembling board. Please kindly see below drawings and explanation carefully.



1) Lens Removal

Remove lens by turning it counterclockwise, and make sure related parts on the assembling board.

2) Revolving Speed Control

- This product built-in a volume for revolving speed control. Turn it clockwise for increasing of revolving speed and turn it counterclockwise for decreasing of revolving speed.

3) AC Voltage Selection

※ Warning!

- Must turn off power supply. Converting switch when supplying power can cause short circuit.
- Can choose one of AC110V and AC220V by using VOLTAGE SELECTOR (2). **It is set as 220V when release from factory. So please convert the switch to 110V position if using 110V.**

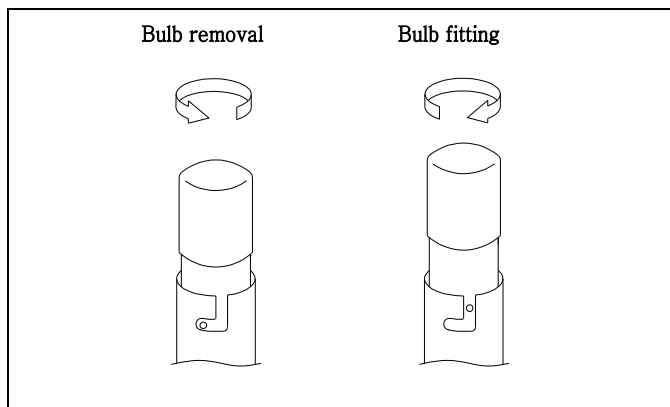
4) Bulb Change

※ Warning!

Must turn off power supply and change bulb after 1 minute at least.

- Make sure the rated voltage and wattage of new bulb. If the voltage of new bulb is higher than original bulb, the life of product can be reduced and can cause damage on lens and reflector. Therefore, please use the bulb which has the same or lower rated voltage and wattage.
- Bulb Removal: Press slightly the bulb downward and turn it counterclockwise for removing.
- Bulb Fitting: Fit new bulb into the socket by pressing it clockwise.

OPERATING MANUAL

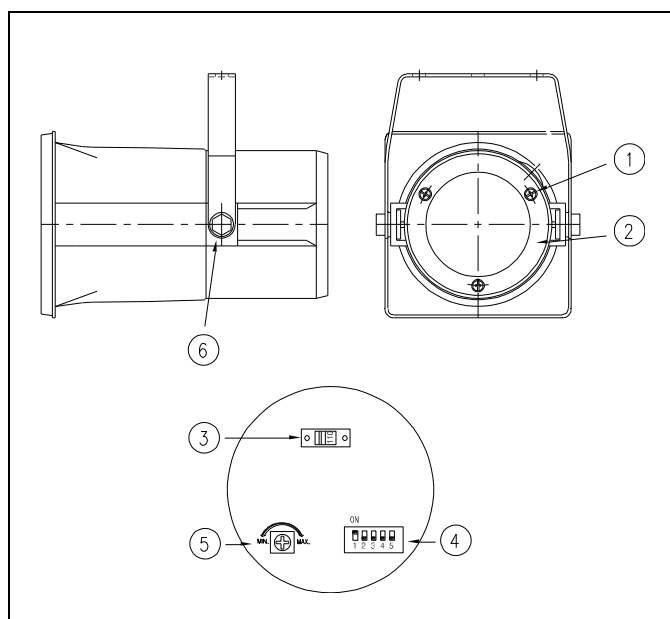


7 Selecting sound tone/control volume

Horn SEN15 has VOLTAGE SELECTOR, SOUND SELECTOR, CONTROL VOLUME on an assembling board. Please kindly see below drawings and explanation carefully.

First, Release the cover bolt① on back and disassemble the cover②.

External View Drawing



Section of Voltage

※ Warning!

- Must turn off power supply. Converting switch when supplying power can cause short circuit.
- Can choose one of AC110V and AC220V by using VOLTAGE SELECTOR③. It is set as 220V when release from factory. So please convert the switch to 110V position if using 110V.

Select sound tone(standard type-using inner switch to select)

This product has 5 kinds of sound tone. Please select the sound by using selection switch④.

Control volume

This product has a control volume⑤. If turn it clockwise for increasing sound volume and turn it counterclockwise for decreasing sound volume.

8 Control horn housing angle

If you control horn housing angle after mounting the product, Please release bolts⑥ a little then adjust the angle what you want. And make the bolts tight. (Please refer to the product structure.)

9 Caution

- If using voltage is seriously higher or lower than rated voltage, it can reduce the self-life of the product or can cause a problem on product operating. Make sure the using voltage does not exceed +/-5% of the rated voltage.
- If lens or body of the product is contaminated by chemicals such as thinner, benzene, the product can be damaged, discolored or deformed. Please be careful.
- Do not give strong impact to the product. It can be a reason of wire disconnection or short circuit.
- Do not strongly pull the wire out from the product. It can cause a disorder.

OPERATING MANUAL

10 Trouble shooting

Situation	Main reason	Solution
Low Revolving Speed	Supplying Voltage lower than rated voltage	Checking using Voltage
Feeble Lighting	Choose 220V switch when using AC110V.	Checking using Voltage 110V
Low Revolving Speed	Adjust wrong for the Revolving Speed	Make Revolving Speed higher
Short Self-Life of Bulb	Supplying voltage higher than rated voltage	Checking using Voltage
Bulb overheating makes lens shape change	Using the bulb over rated capacity change	Change the rated capacity bulb
Defect of transformer(AC Voltage Type)		
Non Revolving	Problem with motor	Contact QLight or their distributor
Neither Lighting nor Revolving	No power supply	Checking power Supply
	Wrong wiring	Checking wiring
Low sound tone or Sound Tone	Supplying voltage lower than rated voltage	Checking using Voltage
Deterioration	Choose 220V switch when using AC110V.	Checking using Voltage 110V
Too high sound tone than the standard	Supplying voltage higher than rated voltage	Making Sure Using Voltage
Output 2 kinds of sounds	Signal sound line short	Checking connection
	Problem sound tone selection Switch	Contact QLight or their distributor
No sound	Problem with Horn	Contact QLight or their distributor
	No power supply	Checking power supply
	Wrong wiring	Checking wiring

QLIGHT CO., LTD.

<http://www qlightkr.com>

E-mail : qlightkr@qlightkr.com

Overseas Marketing Team /Plant

Tel) 055-328-4082 Fax)055-328-4083

178-1 Woogye-Ri, Sangdong-Myun, Kimhae-Si, KyungNam, Korea