

OPERATING MANUAL

QWCD35/QWCD35SD

OPERATING MANUAL

LED Strobe Light with Siren

Thank you for purchasing Qlight product. Please read this manual carefully before installing this product for safe and long use.

1 Feature

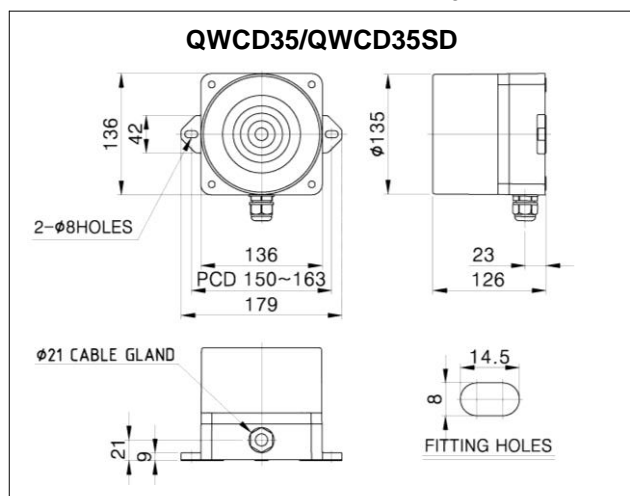
- A new concept of using the horn cover as a light globe.
- Sound pattern selection switch, volume controller and built-in SD card reader realize convenient control.
- There are 31 built-in sounds that can be played in various environments,
- User can select MP3 file by themselves in case of SD card type model
- Protection rating IP66 allows excellent air tightness where is dusty and outdoor place
- Ambient temperature : -30°C to +50°C.
- Materials : Horn-PC, Housing-PC+ABS BLEND
- Volume : QWCD35 - Max. 115dB
QWCD35SD- Max. 123dB

2 Specification and Dimension

• QWCD35/QWCD35SD Specification

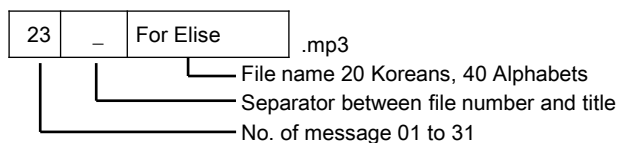
Model Name	Voltage	Current	Built-in Sound And Volume	Weight (Kg)	Color
QWCD35	DC12V ~24V	Max. 1.3A	<ul style="list-style-type: none"> • Bit Input : 5Ch (SD card only) • Binary Input : 31Ch • Warning sound : Max. 115dB • MP3 : Max. 113dB 	1.10	R A G B
QWCD35 SD	DC12V ~24V AC110V~ 220V	Max. 1.2A Max. 0.31A		1.15	

• QWCD35/QWCD35SD Dimensional drawing



3 Sound patterns and selection

- This product supports Bit input(SD Card) and Binary input mode.
- Bit input mode is specialized option for SD card. 5 sound tones can be played as pre-defined rule.
- Following is how to save MP3 files into SD card.



- Binary input mode can played 31 sound tones by using combination of 5ch switch.

No.	ON = 1 / OFF = 0					Sound tone
	Ch1	Ch2	Ch3	Ch4	Ch5	
0	0	0	0	0	0	No sound
1	0	0	0	0	1	Rel rel rel
2	0	0	0	1	0	Slow Ambulance PI-PO
3	0	0	0	1	1	Oit Oit warning sound
4	0	0	1	0	0	Emergency WA-U(Yelp)
5	0	0	1	0	1	Pi- buzzer
6	0	0	1	1	0	7 Short PI / 1 Long
7	0	0	1	1	1	Pi o Pi o
8	0	1	0	0	0	Phone Ring
9	0	1	0	0	1	Pi- buzzer
10	0	1	0	1	0	Pi pi pi short
11	0	1	0	1	1	Di o Di o 2 tones buzzer
12	0	1	1	0	0	Oit Oit warning sound
13	0	1	1	0	1	Slow Ambulance PI-PO
14	0	1	1	1	0	Slow Di o Di o
15	0	1	1	1	1	Fast Li o li o
16	1	0	0	0	0	Fire.A-ANG
17	1	0	0	0	1	Fast Ambulance PI-PO
18	1	0	0	1	0	Slow Ambulance PI-PO
19	1	0	0	1	1	Ri ro ri ro warning sound
20	1	0	1	0	0	Repeat Di-o 3 times
21	1	0	1	0	1	Fire.A-ANG
22	1	0	1	1	0	Ambulance PI-PO
23	1	0	1	1	1	Slow Fire.A-ANG
24	1	1	0	0	0	Pi-pi- buzzer low frequency
25	1	1	0	0	1	Pi-pi- buzzer high frequency
26	1	1	0	1	0	Di-di- buzzer high frequency
27	1	1	0	1	1	Di-di- buzzer low frequency
28	1	1	1	0	0	Rising Po-ong
29	1	1	1	0	1	Fast Ambulance PI-PO
30	1	1	1	1	0	Rising frequency
31	1	1	1	1	1	Repeat A-ANG

OPERATING MANUAL

4 Volume control & how to use Ch. Selection switch

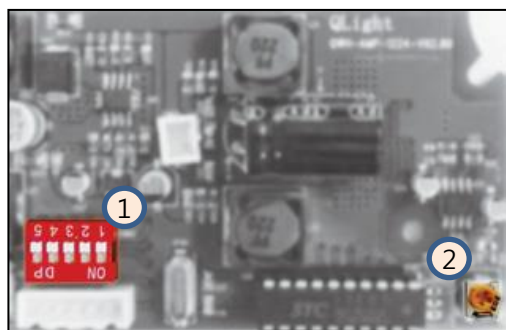
• This product has volume controller and channel selection switch. Please read this manual and refer to figures carefully before use.

1) Globe removal

- Remove four bolts in front of the globe by using tools.
- You can see Control PCB on the product body after dismantling the globe. (There are two types of products. One is pre-recorded sound type, the other one is SD card type. Please refer appropriate part from below 2)

2) How to control volume & and channel selection switch for pre-recorded sound type

- In case of pre-recorded sound type, there are channel selection switch and volume controller (Please refer to figure)



① Channel selection switch

- According to binary input, user can choose the sound tone what user want by using channel switch.

② Volume controller

- Volume controller can adjust the volume into the speaker.

3) How to control volume & and channel selection switch for SD card type (MP3)

- In case of SD card type, there are SD card slot, play mode setup switch, channel selection switch and volume controller on the CONTROL PCB. (Please refer to figure)



① SOUND setting switch

- - If the switch is ON the SDcard (MP3) will be played, and if the switch is OFF the built-in sounds will be played..

② SDcards

- The SDcard is a compact flash memory card for storing MP3 files.

- After saving the MP3 files in the SDcard with the specified format, insert the card into the SDcard slot and switch the sound

setting switch to ON so the sounds can be played from the SDcard. ③ PLAY MODE setting switch

- PLAY MODE setting switch is used to choose the channel input method or select various playing modes. Refer to the table below for switch features.

1	Bit Input Mode	5 sounds can be played from the selected group
2	Binary Input Mode	Up to 31 sounds available for each model
3	Bit Input Hold Playback Mode	5 sounds can be played from the selected group The sound is repeated if the input signal is maintained. (STOP signal makes hold)
4	Binary Input Hold Playback Mode	Up to 31 sounds available for each model The sound is repeated if the input signal is maintained.(STOP signal makes hold)
5	Bit Input Sound Reduction Mode	5 sounds can be played from the selected group. You can reduce the volume(15dB) by using a separate volume reduction signal line
6	Binary Input Sound Reduction Mode	Up to 31 sounds available for each model You can reduce the volume(15dB) by using a separate volume reduction signal line
7	Bit Input Sequence Memory	5 sounds can be played from the selected group If the sound is inputted in a order, it will remember the order and play each sound about 3 seconds. The last input channel is fully played
8	Test Mode	In test mode, Ch1 of group is automatically played back repeatedly. To end the test mode, switch back to the other modes.

④ Channel selection switch

- By using 5 channel selection switches, one can choose the appropriate sound source depending on the Binary input and Bit input.

⑤ VOLUME

- You can adjust the speakers sound output by using the volume dial.

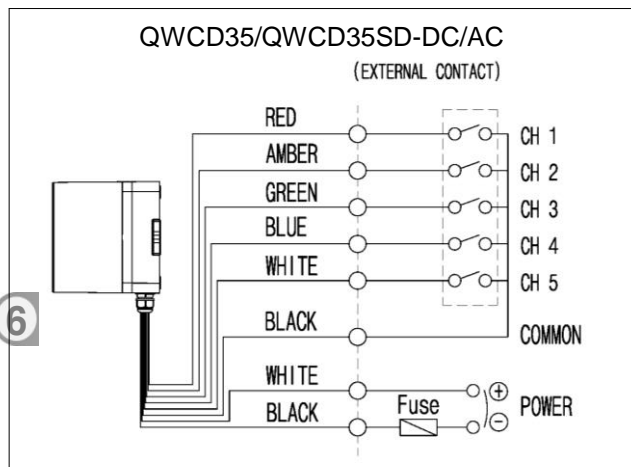
4) Reassembling

- Reassemble the product as reverse order of dismantling the product.

5 Wiring instruction

- Standard specification: Use internal connector (External connector type is optionally provided)

OPERATING MANUAL



• Power line and signal line are exposed to outside in case of LC type which is using external contact for sound tone selection. Please refer to below wiring diagram.

• Power line standard : UL1015-NO.18(0.75sq)X2C 400mm

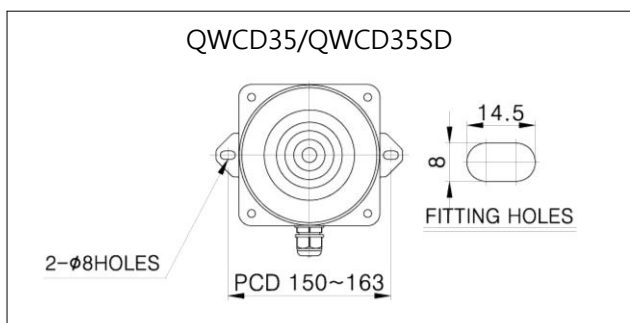
• Signal line standard : UL1007-NO.22(0.3sq) 400mm

*** Warning!**

In case of add power into the common line and each signal line, there will be sound output error.

6 How to mount

- This product is designed for out door use. However we recommend you to use this where is less dust and water.
- Put appropriate holes where the product is installed. (Please refer to dimensions for mounting holes)
- Fix the product by using M8-2EA.



7 Caution

- If using voltage is seriously higher or lower than rated voltage, it can reduce the self-life of the product or can cause a problem on product operating. Make sure the using voltage does not exceed +/-5% of the rated voltage.
- If lens or body of the product is contaminated by chemicals such as thinner, benzene, the product can be damaged, discolored or deformed. Please be careful.
- Significant impact may cause of damage or short circuit.
- Do not pull out external lines too much. It may cause of damage

8 Trouble shoot

Issue	Cause	Solution
Non- Lighting Partly	LED is partly damaged, supplying higher voltage then rated voltage.	Check voltage
Feeble Lighting	Supplying Voltage Lower Than Rated Voltage	Check voltage
No light	Wrong wire	Check wiring
	No power	Check power
Sound Tone Deterioration or Volume Decreasing	Supplying Voltage Lower Than Rated Voltage	Make sure voltage
Higher Volume(dB) than Standard	Supplying Voltage Higher than Rated Voltage	Make sure voltage
No Sound	Wrong Wiring	Make sure wiring
	No Power Supply	Make sure power supply

9 Customer Service Information

QLIGHT CO., LTD.
<http://www.qlight.com>
 E-mail: trade@qlight.com

Overseas Marketing Team /Plant

Tel) 055-328-4082 Fax)055-328-3883
 185-25 Mukbang-ro, Sangdong-Myeon, Kimhae-Si,
 GyeongNam, Korea