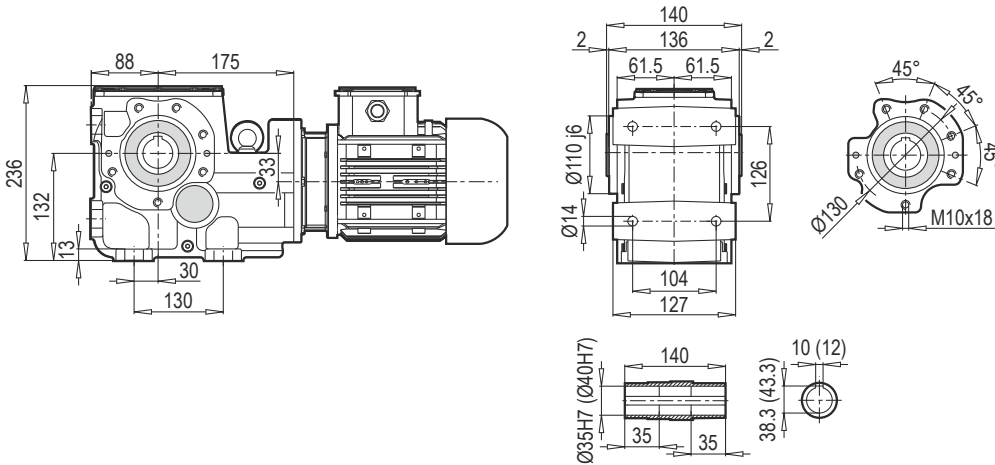
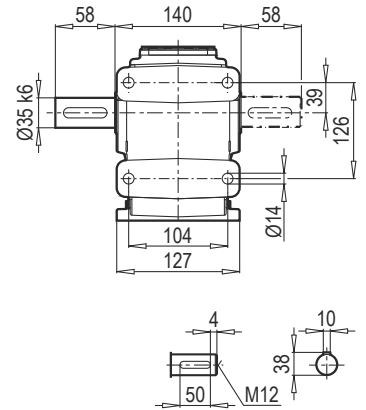


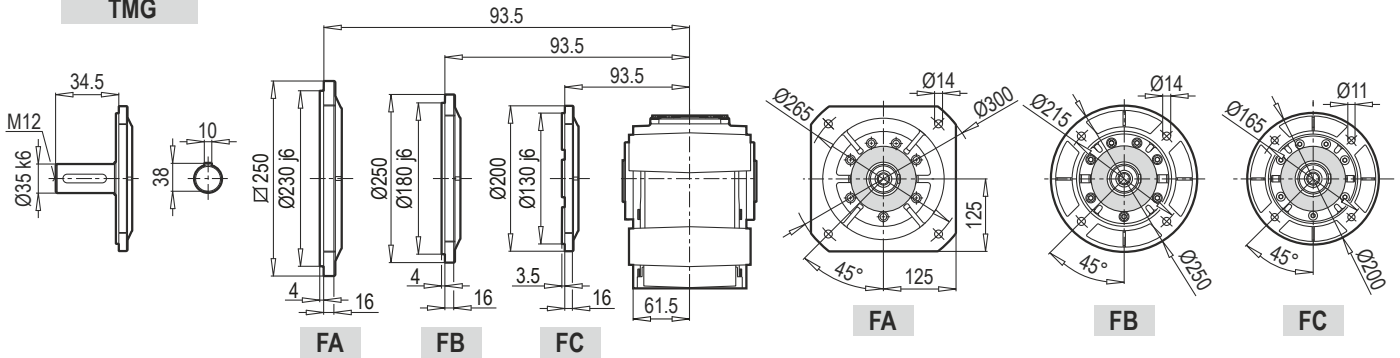
K 35390



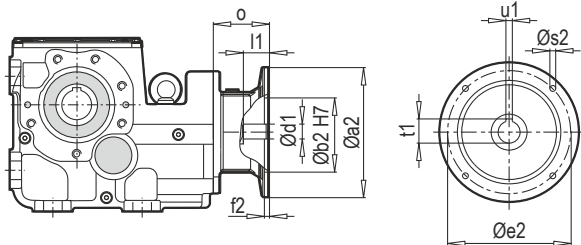
TMA / CMA



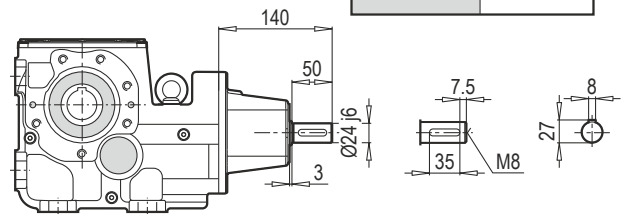
TMG



PAM B5/B14



W



| W ~ Kr | |
|---------|----|
| K 35390 | 24 |

| Редуктор | PAM B5 | Øa2 | Øb2 | Øe2 | f2 | Øs2 | Ød1 | l1 | t1 | u1 | o |
|----------|--------|-----|-----|-----|-----|-----|-----|----|------|----|-----|
| K 35390 | 63 | 140 | 95 | 115 | 4.5 | 8 | 11 | 25 | 12.8 | 4 | 57 |
| | 71 | 160 | 110 | 130 | 5 | 8 | 14 | 32 | 16.3 | 5 | 69 |
| | 80 | 200 | 130 | 165 | 5 | 10 | 19 | 42 | 21.8 | 6 | 90 |
| | 90 | 200 | 130 | 165 | 5 | 10 | 24 | 52 | 27.3 | 8 | 90 |
| | 100 | 250 | 180 | 215 | 5.5 | 12 | 28 | 62 | 31.3 | 8 | 105 |
| | 112 | 250 | 180 | 215 | 5.5 | 12 | 28 | 62 | 31.3 | 8 | 105 |

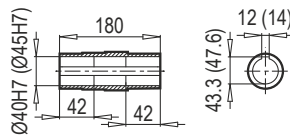
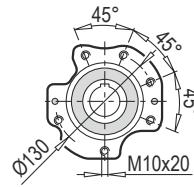
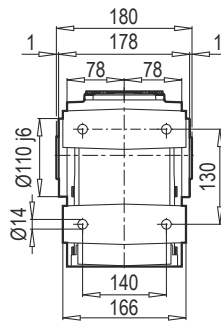
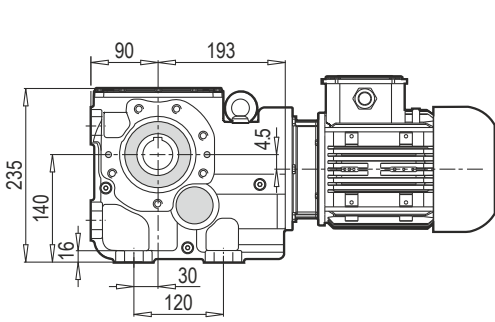
| ~ Kr | |
|--------|---------|
| PAM B5 | K 35390 |
| 63 | 21 |
| 71 | 22 |
| 80 | 23 |
| 90 | 23 |
| 100 | 27 |
| 112 | 27 |

| Редуктор | PAM B14 | Øa2 | Øb2 | Øe2 | f2 | Øs2 | Ød1 | l1 | t1 | u1 | o |
|----------|---------|-----|-----|-----|-----|-----|-----|----|------|----|-----|
| K 35390 | 63 | 90 | 60 | 75 | 2.5 | 6 | 11 | 25 | 12.8 | 4 | 57 |
| | 71 | 105 | 70 | 85 | 2.5 | 7 | 14 | 32 | 16.3 | 5 | 69 |
| | 80 | 120 | 80 | 100 | 3 | 7 | 19 | 42 | 21.8 | 6 | 90 |
| | 90 | 140 | 95 | 115 | 3 | 9 | 24 | 52 | 27.3 | 8 | 90 |
| | 100 | 160 | 110 | 130 | 3.5 | 9 | 28 | 62 | 31.3 | 8 | 105 |
| | 112 | 160 | 110 | 130 | 3.5 | 9 | 28 | 62 | 31.3 | 8 | 105 |

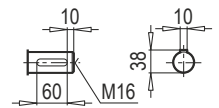
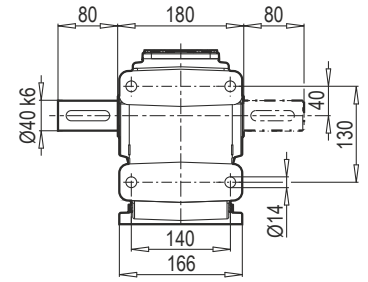
| ~ Kr | |
|---------|---------|
| PAM B14 | K 35390 |
| 63 | 20 |
| 71 | 21 |
| 80 | 22 |
| 90 | 22 |
| 100 | 24 |
| 112 | 24 |

| Редуктор | i | 4- пол. 50Гц 1400об/мин n ₂ [об/мин] | M _{макс} f _B =1 4 - пол. [Нм] | P _{1 макс} W f _B ≥ 1 | | | | PAM - IEC | | | | | | | |
|--|--------|--|--|--|-------------|-----------------|--------------------|-----------|----|----|-----|-----|-----|--|--|
| | | | | 4 - пол. 1400об/мин [кВт] | FR1 [кН] | FR2 (M) [кН] | FR2 (D,KS) [кН] | | | | | | | | |
| K35390 W 1 + PAM - IEC W 1 | 158.67 | 8.9 | 600 | 0.62 | 1.1 | 12.0 | 6.3 | 63 | 71 | 80 | | | | | |
| | 140.25 | 10.1 | 600 | 0.70 | 1.1 | 12.0 | 6.1 | 63 | 71 | 80 | | | | | |
| | 125.18 | 11.3 | 600 | 0.79 | 1.1 | 12.0 | 5.8 | 63 | 71 | 80 | | | | | |
| | 112.63 | 12.5 | 600 | 0.87 | 1.1 | 12.0 | 5.6 | 63 | 71 | 80 | | | | | |
| | 102.00 | 13.8 | 600 | 0.97 | 1.1 | 12.0 | 5.4 | 63 | 71 | 80 | | | | | |
| | 91.04 | 15.5 | 600 | 1.08 | 1.1 | 12.0 | 5.2 | 63 | 71 | 80 | | | | | |
| | 78.09 | 18.1 | 600 | 1.26 | 1.1 | 12.0 | 4.9 | 63 | 71 | 80 | 90 | | | | |
| | 69.70 | 20.2 | 600 | 1.41 | 1.0 | 12.0 | 4.7 | 63 | 71 | 80 | 90 | | | | |
| | 57.38 | 24.6 | 600 | 1.72 | 1.0 | 12.0 | 4.3 | | 71 | 80 | 90 | 100 | 112 | | |
| | 51.21 | 27.6 | 600 | 1.92 | 1.0 | 12.0 | 4.1 | | 71 | 80 | 90 | 100 | 112 | | |
| | 43.56 | 32.4 | 600 | 2.26 | 1.0 | 12.0 | 3.9 | | 71 | 80 | 90 | 100 | 112 | | |
| | 38.88 | 36.3 | 600 | 2.53 | 0.9 | 12.0 | 3.7 | | 71 | 80 | 90 | 100 | 112 | | |
| | 33.70 | 41.9 | 600 | 2.92 | 0.9 | 12.0 | 3.5 | | 71 | 80 | 90 | 100 | 112 | | |
| | 28.25 | 49.9 | 600 | 3.49 | 0.8 | 11.4 | 3.3 | | | 80 | 90 | 100 | 112 | | |
| | 26.30 | 53.7 | 600 | 3.75 | 0.8 | 11.1 | 3.2 | | | 80 | 90 | 100 | 112 | | |
| | 22.50 | 62.5 | 600 | 4.36 | 0.7 | 10.4 | 3.0 | | 71 | 80 | 90 | 100 | 112 | | |
| | 17.08 | 82.3 | 600 | 5.75 | 0.6 | 9.2 | 2.6 | | 71 | 80 | 90 | 100 | 112 | | |
| | 15.25 | 92.3 | 590 | 6.33 | 0.5 | 8.9 | 2.5 | | 71 | 80 | 90 | 100 | 112 | | |
| | 13.21 | 106.5 | 590 | 7.31 | 0.4 | 8.3 | 2.4 | | 71 | 80 | 90 | 100 | 112 | | |
| | 12.41 | 113.3 | 580 | 7.65 | 0.4 | 8.1 | 2.3 | | | 80 | 90 | 100 | 112 | | |
| | 11.08 | 127.0 | 540 | 7.98 | 0.3 | 7.9 | 2.3 | | | 80 | 90 | 100 | 112 | | |
| | 10.31 | 136.4 | 520 | 8.25 | 0.3 | 7.8 | 2.2 | | | 80 | 90 | 100 | 112 | | |
| | 9.20 | 152.8 | 460 | 8.18 | 0.3 | 7.7 | 2.2 | | | 80 | 90 | 100 | 112 | | |
| | 7.36 | 191.2 | 350 | 7.79 | 0.4 | 7.5 | 2.1 | | 71 | 80 | 90 | 100 | 112 | | |
| 6.91 | 203.5 | 340 | 8.05 | 0.3 | 7.3 | 2.1 | | | 80 | 90 | 100 | 112 | | | |
| 5.74 | 245.0 | 290 | 8.27 | 0.3 | 7.0 | 2.0 | | | 80 | 90 | 100 | 112 | | | |

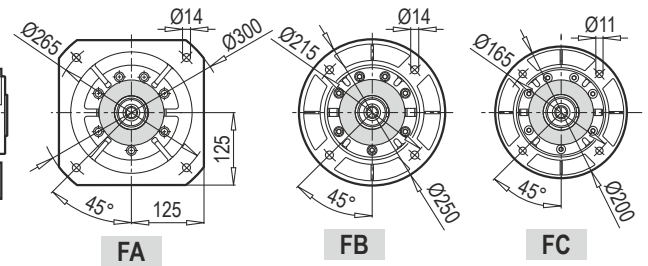
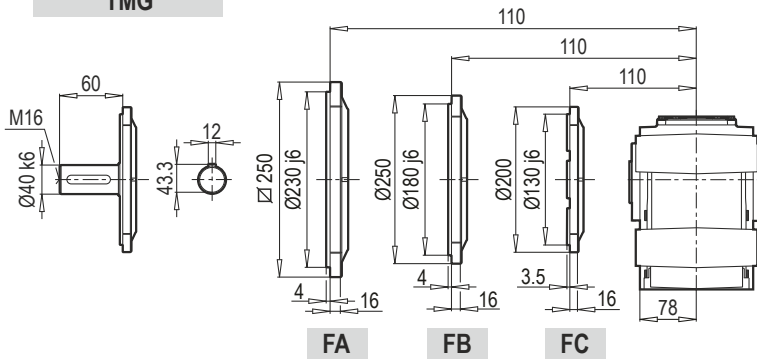
K 40390



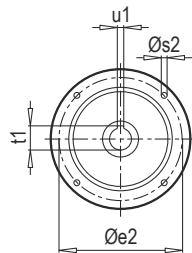
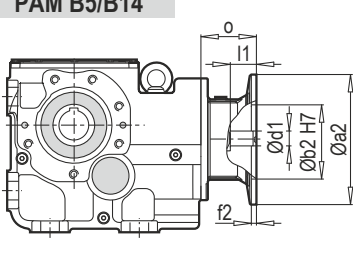
TMA - CMA



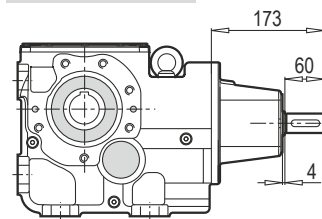
TMG



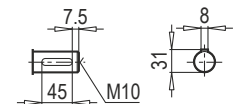
PAM B5/B14



W



| W ~ | |
|--------|----|
| K40390 | 35 |



| Редуктор | PAM B5 | Øa2 | Øb2 | Øe2 | f2 | Øs2 | Ød1 | l1 | t1 | u1 | o |
|----------|--------|-----|-----|-----|-----|-----|-----|----|------|----|-----|
| K 40390 | 80 | 200 | 130 | 165 | 5 | 10 | 19 | 42 | 21.8 | 6 | 70 |
| | 90 | 200 | 130 | 165 | 5 | 10 | 24 | 52 | 27.3 | 8 | 70 |
| | 100 | 250 | 180 | 215 | 5.5 | 12 | 28 | 62 | 31.3 | 8 | 85 |
| | 112 | 250 | 180 | 215 | 5.5 | 12 | 28 | 62 | 41.3 | 8 | 85 |
| | 132 | 300 | 230 | 265 | 5.5 | 12 | 38 | 82 | 31.3 | 10 | 110 |

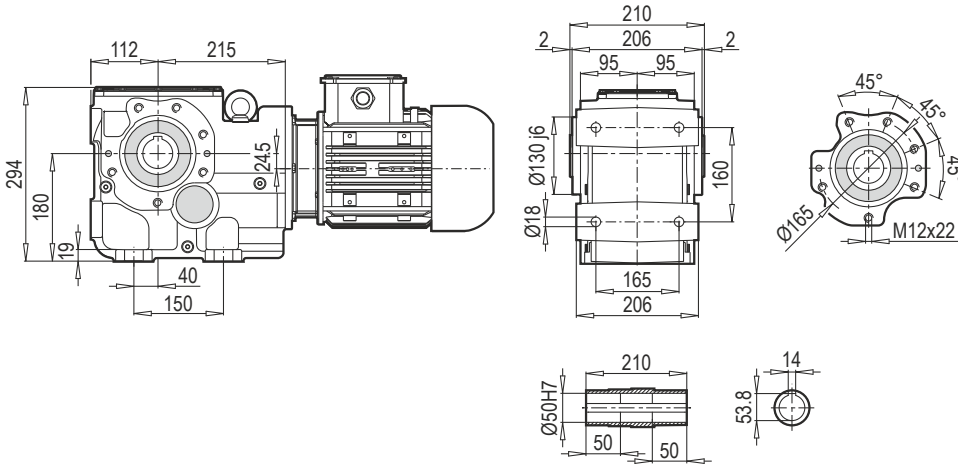
| ~ | |
|--------|---------|
| PAM B5 | K 40390 |
| 80 | 33 |
| 90 | 33 |
| 100 | 35 |
| 112 | 35 |
| 132 | 39 |

| Редуктор | PAM B14 | Øa2 | Øb2 | Øe2 | f2 | Øs2 | Ød1 | l1 | t1 | u1 | o |
|----------|---------|-----|-----|-----|-----|-----|-----|----|------|----|-----|
| K40390 | 80 | 120 | 80 | 100 | 3 | 7 | 19 | 42 | 21.8 | 6 | 70 |
| | 90 | 140 | 95 | 115 | 3 | 9 | 24 | 52 | 27.3 | 8 | 70 |
| | 100 | 160 | 110 | 130 | 3.5 | 9 | 28 | 62 | 31.3 | 8 | 85 |
| | 112 | 160 | 110 | 130 | 3.5 | 9 | 28 | 62 | 31.3 | 8 | 85 |
| | 132 | 200 | 130 | 165 | 3.5 | 11 | 38 | 82 | 41.3 | 10 | 110 |

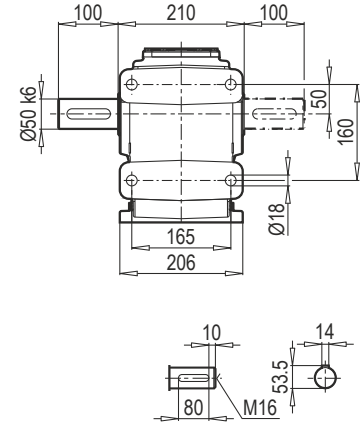
| ~ | |
|---------|---------|
| PAM B14 | K 40390 |
| 80 | 29 |
| 90 | 29 |
| 100 | 31 |
| 112 | 31 |
| 132 | 36 |

| Редуктор | i | 4- пол 50Гц 1400 об/МИН n ₂ [об/МИН] | M _a макс f _B =1 4 - пол. [Нм] | P _{1max} W f _B ≥ 1 | | | | PAM - IEC | | | | | | |
|---------------|-------------|--|--|--|---------------|-------------------|----------------------|-----------|----|-----|-----|-----|-----|--|
| | | | | 4 - пол. 1400 об/МИН [кВт] | FR1 [кН] | FR2 (M) [кН] | FR2 (D,KS) [кН] | | | | | | | |
| К40390 | 142.18 | 9.8 | 850 | 0.97 | 2.5 | 18.0 | 9.5 | 80 | 90 | 100 | 112 | | | |
| | 124.46 | 11.2 | 850 | 1.11 | 2.5 | 18.0 | 9.1 | 80 | 90 | 100 | 112 | | | |
| | 114.17 | 12.3 | 850 | 1.21 | 2.5 | 18.0 | 8.8 | 80 | 90 | 100 | 112 | | | |
| | W ↔ 1 | 103.40 | 13.5 | 850 | 1.34 | 2.5 | 18.0 | 8.5 | 80 | 90 | 100 | 112 | | |
| | ↔ 1 | 98.70 | 14.2 | 850 | 1.40 | 2.5 | 18.0 | 8.3 | 80 | 90 | 100 | 112 | 132 | |
| | + | 90.52 | 15.5 | 850 | 1.53 | 2.5 | 18.0 | 8.1 | 80 | 90 | 100 | 112 | | |
| | PAM - IEC | 79.26 | 17.7 | 850 | 1.75 | 2.5 | 18.0 | 7.7 | 80 | 90 | 100 | 112 | 132 | |
| | ↔ 1 | 71.78 | 19.5 | 850 | 1.93 | 2.5 | 18.0 | 7.4 | 80 | 90 | 100 | 112 | 132 | |
| | ↔ 1 | 67.78 | 20.7 | 850 | 2.04 | 2.5 | 18.0 | 7.2 | 80 | 90 | 100 | 112 | 132 | |
| | | 62.47 | 22.4 | 850 | 2.22 | 2.5 | 18.0 | 7.0 | 80 | 90 | 100 | 112 | 132 | |
| | | 58.81 | 23.8 | 850 | 2.35 | 2.5 | 18.0 | 6.9 | 80 | 90 | 100 | 112 | 132 | |
| | | 54.43 | 25.7 | 850 | 2.54 | 2.5 | 18.0 | 6.7 | 80 | 90 | 100 | 112 | 132 | |
| | | 50.17 | 27.9 | 850 | 2.76 | 2.5 | 18.0 | 6.5 | 80 | 90 | 100 | 112 | 132 | |
| | | 44.78 | 31.3 | 850 | 3.09 | 2.5 | 18.0 | 6.2 | 80 | 90 | 100 | 112 | 132 | |
| | | 42.28 | 33.1 | 850 | 3.27 | 2.5 | 18.0 | 6.0 | 80 | 90 | 100 | 112 | 132 | |
| | | 38.97 | 35.9 | 850 | 3.55 | 2.5 | 18.0 | 5.9 | 80 | 90 | 100 | 112 | 132 | |
| | | 33.95 | 41.2 | 850 | 4.08 | 2.5 | 18.0 | 5.5 | 80 | 90 | 100 | 112 | 132 | |
| | | 31.29 | 44.7 | 850 | 4.42 | 2.5 | 18.0 | 5.4 | 80 | 90 | 100 | 112 | 132 | |
| | | 28.83 | 48.6 | 850 | 4.80 | 2.4 | 18.0 | 5.2 | 80 | 90 | 100 | 112 | 132 | |
| | | 26.11 | 53.6 | 850 | 5.30 | 2.3 | 17.6 | 5.0 | 80 | 90 | 100 | 112 | 132 | |
| | 22.40 | 62.5 | 850 | 6.18 | 2.2 | 16.5 | 4.7 | 80 | 90 | 100 | 112 | 132 | | |
| | 17.98 | 77.8 | 850 | 7.70 | 2.0 | 15.1 | 4.3 | 80 | 90 | 100 | 112 | 132 | | |
| | 16.29 | 86.0 | 850 | 8.50 | 1.9 | 14.5 | 4.1 | 80 | 90 | 100 | 112 | 132 | | |
| | 14.11 | 99.2 | 810 | 9.35 | 1.8 | 13.9 | 4.0 | 80 | 90 | 100 | 112 | 132 | | |
| | 11.33 | 123.6 | 750 | 10.78 | 1.7 | 12.9 | 3.7 | 80 | 90 | 100 | 112 | 132 | | |
| | 10.26 | 136.4 | 650 | 10.32 | 1.7 | 12.8 | 3.7 | 80 | 90 | 100 | 112 | 132 | | |
| | 8.63 | 162.2 | 600 | 11.32 | 1.6 | 12.0 | 3.4 | 80 | 90 | 100 | 112 | 132 | | |
| | 7.82 | 179.1 | 500 | 10.41 | 1.7 | 12.0 | 3.4 | 80 | 90 | 100 | 112 | 132 | | |

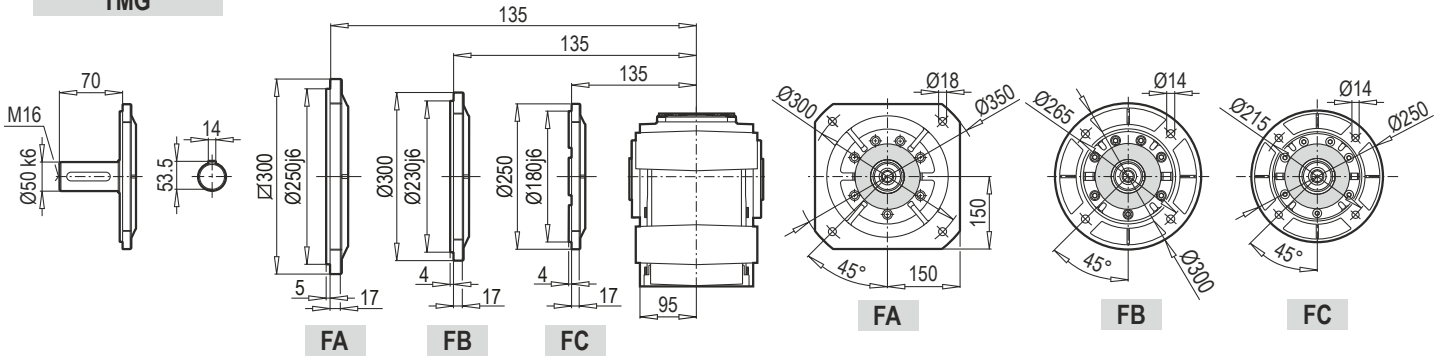
K 50390



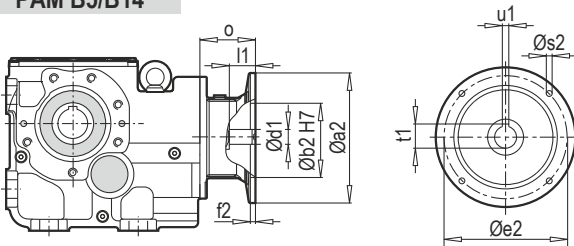
TMA - CMA



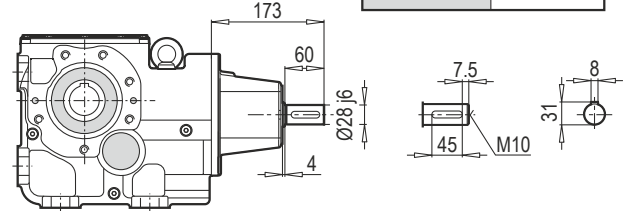
TMG



PAM B5/B14



W



| W ~ | |
|---------|----|
| K 50390 | 61 |

| Редуктор | PAM B5 | Øa2 | Øb2 | Øe2 | f2 | Øs2 | Ød1 | l1 | t1 | u1 | o |
|----------|--------|-----|-----|-----|-----|-----|-----|-----|------|----|-----|
| K 50390 | 80 | 200 | 130 | 165 | 5 | 10 | 19 | 42 | 21.8 | 6 | 70 |
| | 90 | 200 | 130 | 165 | 5 | 10 | 24 | 52 | 27.3 | 8 | 70 |
| | 100 | 250 | 180 | 215 | 5.5 | 12 | 28 | 62 | 31.3 | 8 | 85 |
| | 112 | 250 | 180 | 215 | 5.5 | 12 | 28 | 62 | 31.3 | 8 | 85 |
| | 132 | 300 | 230 | 265 | 5.5 | 12 | 38 | 82 | 41.3 | 10 | 110 |
| | 160 | 350 | 250 | 300 | 7 | 16 | 42 | 112 | 45.3 | 12 | 158 |

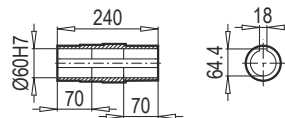
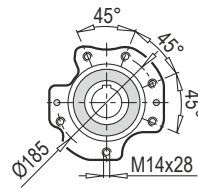
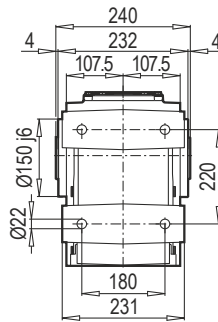
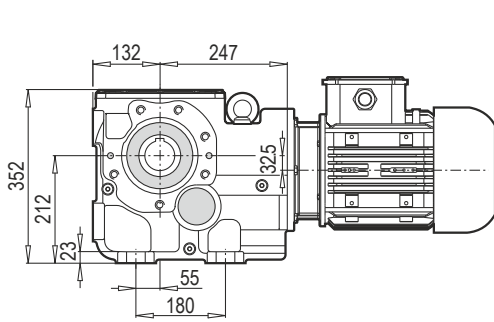
| ~ | |
|--------|---------|
| PAM B5 | K 50390 |
| 80 | 59 |
| 90 | 59 |
| 100 | 61 |
| 112 | 61 |
| 132 | 65 |
| 160 | 72 |

| Редуктор | PAM B14 | Øa2 | Øb2 | Øe2 | f2 | Øs2 | Ød1 | l1 | t1 | u1 | o |
|----------|---------|-----|-----|-----|-----|-----|-----|----|------|----|-----|
| K 50390 | 80 | 120 | 80 | 100 | 3 | 7 | 19 | 42 | 21.8 | 6 | 70 |
| | 90 | 140 | 95 | 115 | 3 | 9 | 24 | 52 | 27.3 | 8 | 70 |
| | 100 | 160 | 110 | 130 | 3.5 | 9 | 28 | 62 | 31.3 | 8 | 85 |
| | 112 | 160 | 110 | 130 | 3.5 | 9 | 28 | 62 | 31.3 | 8 | 85 |
| | 132 | 200 | 130 | 165 | 3.5 | 11 | 38 | 82 | 41.3 | 10 | 110 |

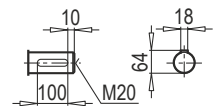
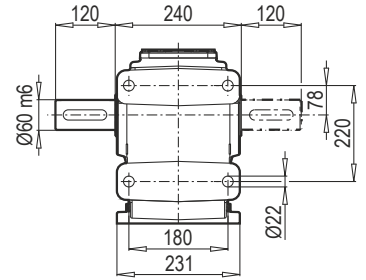
| ~ | |
|---------|---------|
| PAM B14 | K 50390 |
| 80 | 55 |
| 90 | 55 |
| 100 | 57 |
| 112 | 57 |
| 132 | 62 |

| Редуктор | i | 4- пол. 50 Гц 1400 об/мин n ₂ [об/мин] | M _a макс f _B =1 4 - пол. [Нм] | P ₁ макс W f _B ≥ | | | | PAM - IEC | | | | | |
|--|--------|---|---|--|-------------|-----------------|--------------------|-----------|----|-----|-----|-----|-----|
| | | | | 4 - пол. 1400 об/мин [кВт] | FR1 [кН] | FR2 (M) [кН] | FR2 (D,KS) [кН] | | | | | | |
| K50390 + PAM - IEC | 161.23 | 8.7 | 1800 | 1.82 | 2.8 | 22.0 | 11.8 | 80 | 90 | 100 | 112 | | |
| | 141.14 | 9.9 | 1800 | 2.08 | 2.7 | 22.0 | 11.2 | 80 | 90 | 100 | 112 | | |
| | 129.64 | 10.8 | 1800 | 2.26 | 2.7 | 22.0 | 10.9 | 80 | 90 | 100 | 112 | | |
| | 117.49 | 11.9 | 1800 | 2.50 | 2.7 | 22.0 | 10.5 | 80 | 90 | 100 | 112 | | |
| | 111.93 | 12.5 | 1800 | 2.62 | 2.7 | 22.0 | 10.3 | 80 | 90 | 100 | 112 | 132 | |
| | 102.86 | 13.6 | 1800 | 2.85 | 2.7 | 22.0 | 10.0 | 80 | 90 | 100 | 112 | | |
| | 90.00 | 15.6 | 1800 | 3.26 | 2.6 | 22.0 | 9.5 | 80 | 90 | 100 | 112 | 132 | |
| | 81.57 | 17.2 | 1800 | 3.59 | 2.6 | 22.0 | 9.1 | 80 | 90 | 100 | 112 | 132 | |
| | 76.87 | 18.2 | 1700 | 3.60 | 2.6 | 22.0 | 9.0 | 80 | 90 | 100 | 112 | 132 | |
| | 70.84 | 19.8 | 1700 | 3.91 | 2.5 | 22.0 | 8.7 | 80 | 90 | 100 | 112 | 132 | |
| | 66.83 | 20.9 | 1700 | 4.14 | 2.5 | 22.0 | 8.5 | 80 | 90 | 100 | 112 | 132 | |
| | 63.93 | 21.9 | 1700 | 4.33 | 2.5 | 22.0 | 8.3 | 80 | 90 | 100 | 112 | 132 | |
| | 56.96 | 24.6 | 1700 | 4.86 | 2.4 | 22.0 | 8.0 | 80 | 90 | 100 | 112 | 132 | |
| | 51.63 | 27.1 | 1700 | 5.36 | 2.4 | 22.0 | 7.7 | 80 | 90 | 100 | 112 | 132 | |
| | 48.89 | 28.6 | 1700 | 5.66 | 2.3 | 22.0 | 7.6 | 80 | 90 | 100 | 112 | 132 | |
| | 46.59 | 30.0 | 1700 | 5.94 | 2.3 | 22.0 | 7.4 | 80 | 90 | 100 | 112 | 132 | |
| | 43.91 | 31.9 | 1700 | 6.31 | 2.2 | 22.0 | 7.2 | 80 | 90 | 100 | 112 | 132 | |
| | 40.46 | 34.6 | 1700 | 6.84 | 2.2 | 22.0 | 7.0 | 80 | 90 | 100 | 112 | 132 | |
| | 35.30 | 39.7 | 1700 | 7.84 | 2.1 | 22.0 | 6.6 | 80 | 90 | 100 | 112 | 132 | |
| | 32.54 | 43.0 | 1700 | 8.51 | 2.0 | 22.0 | 6.4 | 80 | 90 | 100 | 112 | 132 | |
| | 29.67 | 47.2 | 1600 | 8.78 | 2.0 | 22.0 | 6.3 | 80 | 90 | 100 | 112 | 132 | 160 |
| | 25.65 | 54.6 | 1500 | 9.53 | 1.9 | 21.1 | 6.0 | 80 | 90 | 100 | 112 | 132 | 160 |
| | 23.26 | 60.2 | 1400 | 9.80 | 1.8 | 20.4 | 5.8 | 80 | 90 | 100 | 112 | 132 | 160 |
| | 18.70 | 74.9 | 1400 | 12.19 | 1.6 | 18.7 | 5.3 | 80 | 90 | 100 | 112 | 132 | 160 |
| | 16.95 | 82.6 | 1400 | 13.45 | 1.4 | 18.0 | 5.1 | 80 | 90 | 100 | 112 | 132 | 160 |
| | 14.65 | 95.6 | 1200 | 13.34 | 1.4 | 17.6 | 5.0 | 80 | 90 | 100 | 112 | 132 | 160 |
| | 11.78 | 118.8 | 1000 | 13.83 | 1.4 | 16.7 | 4.8 | 80 | 90 | 100 | 112 | 132 | 160 |
| | 10.68 | 131.1 | 1000 | 15.25 | 1.2 | 16.1 | 4.6 | 80 | 90 | 100 | 112 | 132 | 160 |
| | 8.98 | 156.0 | 900 | 16.32 | 1.0 | 15.1 | 4.3 | 80 | 90 | 100 | 112 | 132 | 160 |
| | 8.13 | 172.1 | 800 | 16.03 | 1.1 | 14.9 | 4.2 | 80 | 90 | 100 | 112 | 132 | 160 |

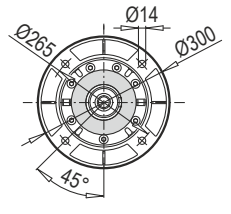
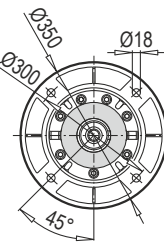
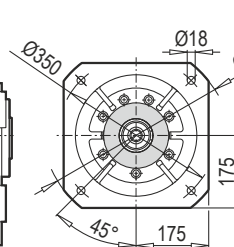
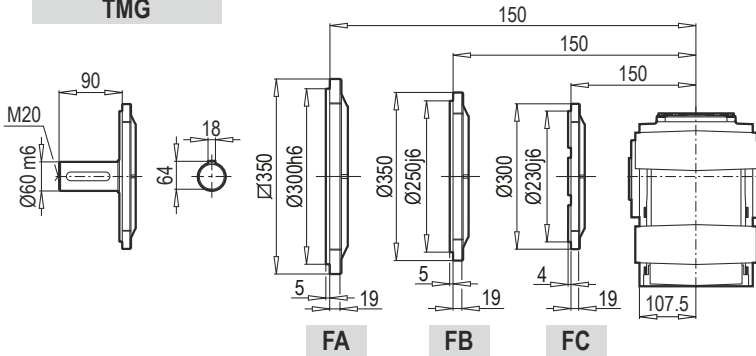
K 60390



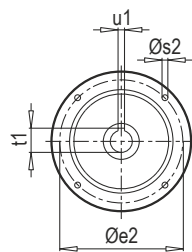
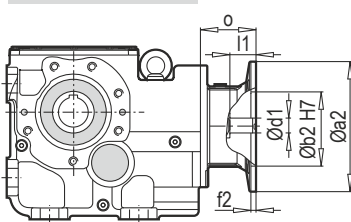
TMA - CMA



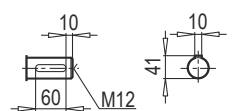
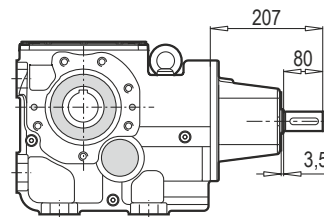
TMG



PAM B5/B14



W



| W ~ Kr | |
|---------|----|
| K 60390 | 89 |

| Редуктор | PAM B5 | Øa2 | Øb2 | Øe2 | f2 | Øs2 | Ød1 | l1 | t1 | u1 | o |
|----------|--------|-----|-----|-----|-----|-----|-----|-----|------|----|-----|
| K 60390 | 90 | 200 | 130 | 165 | 5 | 10 | 24 | 52 | 27.3 | 8 | 61 |
| | 100 | 250 | 180 | 215 | 5.5 | 12 | 28 | 62 | 31.3 | 8 | 76 |
| | 112 | 250 | 180 | 215 | 5.5 | 12 | 28 | 62 | 31.3 | 8 | 76 |
| | 132 | 300 | 230 | 265 | 5.5 | 12 | 38 | 82 | 41.3 | 10 | 101 |
| | 160 | 350 | 250 | 300 | 7 | 16 | 42 | 112 | 45.3 | 12 | 148 |
| | 180 | 350 | 250 | 300 | 7 | 16 | 48 | 112 | 51.8 | 14 | 148 |

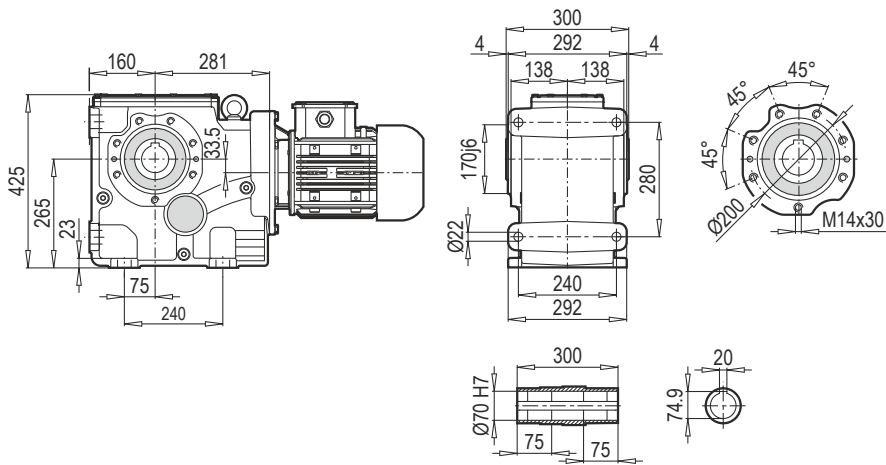
| ~ Kr | |
|--------|---------|
| PAM B5 | K 60390 |
| 90 | 80 |
| 100 | 84 |
| 112 | 84 |
| 132 | 87 |
| 160 | 93 |
| 180 | 93 |

| Редуктор | PAM B14 | Øa2 | Øb2 | Øe2 | f2 | Øs2 | Ød1 | l1 | t1 | u1 | o |
|----------|---------|-----|-----|-----|-----|-----|-----|----|------|----|-----|
| K 60390 | 90 | 140 | 95 | 115 | 3 | 9 | 24 | 52 | 27.3 | 8 | 61 |
| | 100 | 160 | 110 | 130 | 3.5 | 9 | 28 | 62 | 31.3 | 8 | 76 |
| | 112 | 160 | 110 | 130 | 3.5 | 9 | 28 | 62 | 31.3 | 8 | 76 |
| | 132 | 200 | 130 | 165 | 3.5 | 11 | 38 | 82 | 41.3 | 10 | 101 |

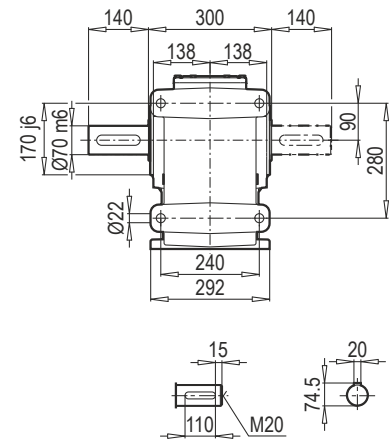
| ~ Kr | |
|---------|---------|
| PAM B14 | K 60390 |
| 90 | 77 |
| 100 | 79 |
| 112 | 79 |
| 132 | 85 |

| Редуктор | i | 4- пол. 50 Гц 1400 об/МИН n ₂ [об/МИН] | M _a макс f _B =1 4 - пол. [Н м] | P ₁ макс W f _B ≥ | | | PAM - IEC | | | | | | |
|--|--------|---|--|--|-------------|-----------------|--------------------|----|-----|-----|-----|-----|-----|
| | | | | 4 - пол. 1400 об/МИН [кВт] | FR1 [кН] | FR2 (M) [кН] | FR2 (D,KS) [кН] | | | | | | |
| K60390 W 1 + PAM - IEC W 1 | 183.08 | 7.6 | 3500 | 3.11 | 3.9 | 30.0 | 14.8 | 90 | 100 | 112 | 132 | | |
| | 162.63 | 8.6 | 3500 | 3.51 | 3.8 | 30.0 | 14.0 | 90 | 100 | 112 | 132 | | |
| | 146.59 | 9.6 | 3500 | 3.89 | 3.8 | 30.0 | 13.4 | 90 | 100 | 112 | 132 | | |
| | 131.96 | 10.6 | 3500 | 4.32 | 3.8 | 30.0 | 12.8 | 90 | 100 | 112 | 132 | | |
| | 121.39 | 11.5 | 3500 | 4.70 | 3.8 | 30.0 | 12.3 | 90 | 100 | 112 | 132 | | |
| | 108.31 | 12.9 | 3500 | 5.26 | 3.8 | 30.0 | 11.7 | 90 | 100 | 112 | 132 | | |
| | 101.29 | 13.8 | 3500 | 5.63 | 3.7 | 30.0 | 11.3 | | 100 | 112 | 132 | 160 | 180 |
| | 91.30 | 15.3 | 3500 | 6.24 | 3.7 | 30.0 | 10.8 | | 100 | 112 | 132 | 160 | 180 |
| | 81.18 | 17.2 | 3500 | 7.02 | 3.7 | 30.0 | 10.2 | 90 | 100 | 112 | 132 | | |
| | 75.60 | 18.5 | 3500 | 7.54 | 3.6 | 30.0 | 9.9 | | 100 | 112 | 132 | 160 | 180 |
| | 70.62 | 19.8 | 3300 | 7.61 | 3.6 | 30.0 | 9.8 | | 100 | 112 | 132 | 160 | 180 |
| | 63.65 | 22.0 | 3300 | 8.44 | 3.6 | 30.0 | 9.3 | | 100 | 112 | 132 | 160 | 180 |
| | 60.34 | 23.2 | 3200 | 8.64 | 3.6 | 30.0 | 9.2 | | 100 | 112 | 132 | 160 | 180 |
| | 55.28 | 25.3 | 3200 | 9.43 | 3.6 | 30.0 | 8.8 | | 100 | 112 | 132 | 160 | 180 |
| | 50.56 | 27.7 | 3200 | 10.31 | 3.5 | 29.6 | 8.5 | | 100 | 112 | 132 | 160 | 180 |
| | 45.57 | 30.7 | 3000 | 10.72 | 3.5 | 29.0 | 8.3 | | 100 | 112 | 132 | 160 | 180 |
| | 41.26 | 33.9 | 2800 | 11.05 | 3.5 | 28.5 | 8.2 | | 100 | 112 | 132 | 160 | 180 |
| | 35.25 | 39.7 | 2800 | 12.94 | 3.4 | 26.5 | 7.6 | | 100 | 112 | 132 | 160 | 180 |
| | 31.77 | 44.1 | 2800 | 14.36 | 3.3 | 25.1 | 7.2 | | 100 | 112 | 132 | 160 | 180 |
| | 31.39 | 44.6 | 2800 | 14.53 | 3.3 | 24.9 | 7.1 | | | | 132 | 160 | 180 |
| | 28.11 | 49.8 | 2800 | 16.22 | 3.2 | 23.6 | 6.7 | | | | 132 | 160 | 180 |
| | 26.31 | 53.2 | 2800 | 17.33 | 3.2 | 22.8 | 6.5 | | 100 | 112 | 132 | 160 | 180 |
| | 23.27 | 60.2 | 2800 | 19.60 | 3.1 | 21.4 | 6.1 | | | | 132 | 160 | 180 |
| | 21.00 | 66.7 | 2500 | 19.39 | 3.1 | 21.6 | 6.2 | | | | 132 | 160 | 180 |
| | 18.92 | 74.0 | 2200 | 18.94 | 3.1 | 21.9 | 6.3 | | | | 132 | 160 | 180 |
| | 15.67 | 89.3 | 2100 | 21.83 | 3.0 | 20.4 | 5.8 | | | | 132 | 160 | 180 |
| | 14.15 | 98.9 | 2100 | 24.17 | 2.8 | 19.4 | 5.5 | | | | 132 | 160 | 180 |
| | 12.75 | 109.8 | 2000 | 25.55 | 2.8 | 18.9 | 5.4 | | | | 132 | 160 | 180 |
| | 10.56 | 132.6 | 2000 | 30.85 | 2.5 | 17.2 | 4.9 | | | | 132 | 160 | 180 |
| | 9.63 | 145.4 | 1800 | 30.45 | 2.6 | 17.5 | 5.0 | | | | 132 | 160 | 180 |
| 7.97 | 175.8 | 1500 | 30.66 | 2.6 | 17.3 | 4.9 | | | | 132 | 160 | 180 | |

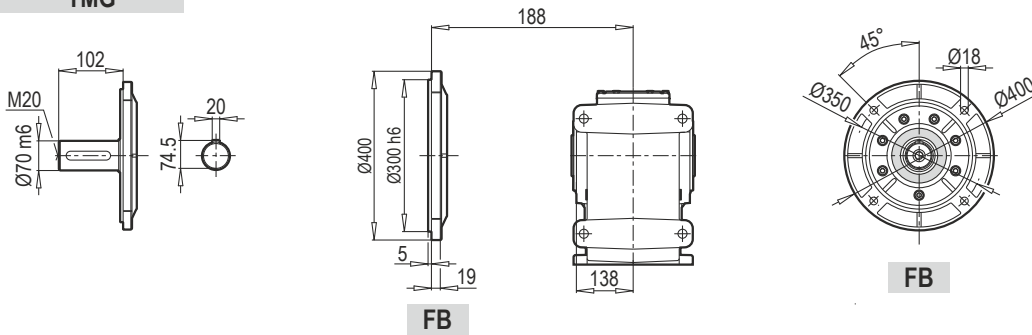
K 70390



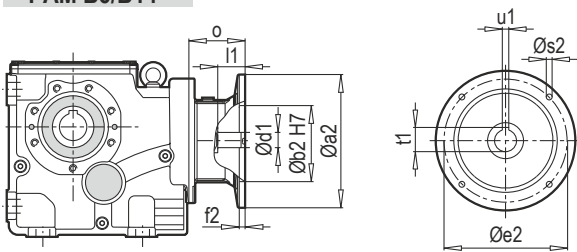
TMA - CMA



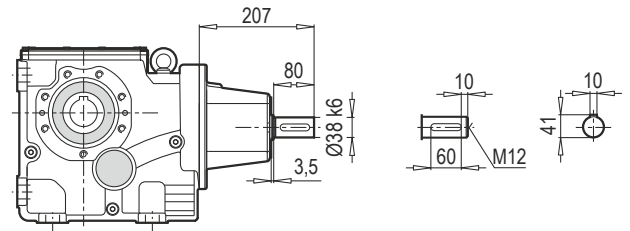
TMG



PAM B5/B14



W







| W ~ Kr | |
|---------|-------|
| K 70390 | 134.5 |

| Редуктор | PAM B5 | Øa2 | Øb2 | Øe2 | f2 | Øs2 | Ød1 | l1 | t1 | u1 | o |
|----------|--------|-----|-----|-----|-----|-----|-----|-----|------|----|-----|
| K 70390 | 100 | 250 | 180 | 215 | 5.5 | 12 | 28 | 62 | 31.3 | 8 | 76 |
| | 112 | 250 | 180 | 215 | 5.5 | 12 | 28 | 62 | 31.3 | 8 | 76 |
| | 132 | 300 | 230 | 265 | 5.5 | 12 | 38 | 82 | 41.3 | 10 | 101 |
| | 160 | 350 | 250 | 300 | 7 | 16 | 42 | 112 | 45.3 | 12 | 148 |
| | 180 | 350 | 250 | 300 | 7 | 16 | 48 | 112 | 51.8 | 14 | 148 |
| | 200 | 400 | 300 | 350 | 7 | 16 | 55 | 112 | 59.3 | 16 | 185 |

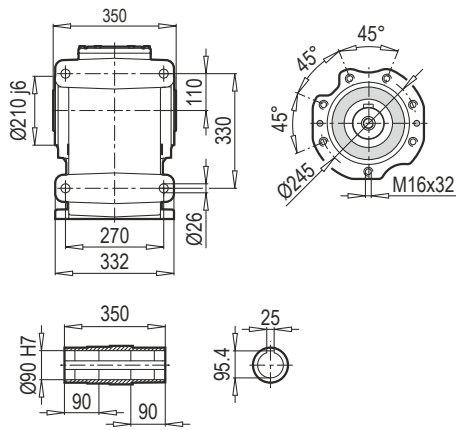
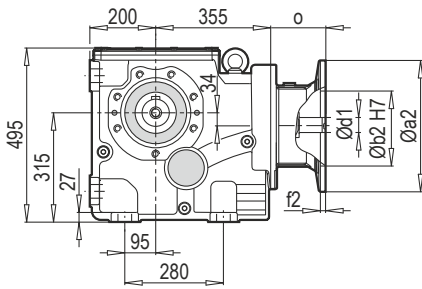
| ~ Kr | |
|--------|---------|
| PAM B5 | K 70390 |
| 100 | 129.5 |
| 112 | 129.5 |
| 132 | 132.5 |
| 160 | 138.5 |
| 180 | 138.5 |
| 200 | 154.5 |

| Редуктор | PAM B14 | Øa2 | Øb2 | Øe2 | f2 | Øs2 | Ød1 | l1 | t1 | u1 | o |
|----------|---------|-----|-----|-----|-----|-----|-----|----|------|----|-----|
| K 70390 | 100 | 160 | 110 | 130 | 3.5 | 9 | 28 | 62 | 31.3 | 8 | 76 |
| | 112 | 160 | 110 | 130 | 3.5 | 9 | 28 | 62 | 31.3 | 8 | 76 |
| | 132 | 200 | 130 | 165 | 3.5 | 11 | 38 | 82 | 41.3 | 10 | 101 |

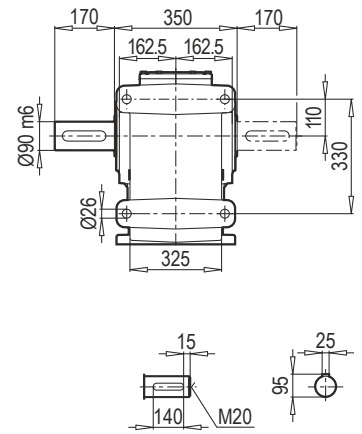
| ~ Kr | |
|---------|---------|
| PAM B14 | K 70390 |
| 100 | 125 |
| 112 | 125 |
| 132 | 131 |

| Редуктор | i | 4- пол. 50 Гц 1400 об/мин n ₂ [об/мин] | M _a макс f _B =1 4 - пол. [Нм] | P ₁ макс W f _B ≥ 1 | | | | PAM - IEC | | | | | | |
|---|--------|---|---|--|--------------|-----------------|--------------------|-----------|-----|-----|-----|-----|-----|--|
| | | | | 4 - пол. 1400 об/мин [кВт] | FR1 [кВт] | FR2 (M) [кН] | FR2 (D,KS) [кН] | | | | | | | |
| K70390 W   1 + PAM - IEC   1 | 183.27 | 7.6 | 5000 | 4.44 | 3.8 | 45.0 | 45.0 | 100 | 112 | 132 | | | | |
| | 162.98 | 8.6 | 5000 | 5.00 | 3.8 | 45.0 | 45.0 | 100 | 112 | 132 | 160 | 180 | | |
| | 146.38 | 9.6 | 5000 | 5.56 | 3.8 | 45.0 | 45.0 | 100 | 112 | 132 | 160 | 180 | | |
| | 133.53 | 10.5 | 5000 | 6.10 | 3.8 | 45.0 | 45.0 | 100 | 112 | 132 | 160 | 180 | | |
| | 121.96 | 11.5 | 5000 | 6.68 | 3.8 | 45.0 | 45.0 | 100 | 112 | 132 | 160 | 180 | | |
| | 109.54 | 12.8 | 5000 | 7.43 | 3.7 | 43.1 | 43.1 | 100 | 112 | 132 | 160 | 180 | | |
| | 104.68 | 13.4 | 5000 | 7.78 | 3.7 | 42.0 | 42.0 | 100 | 112 | 132 | | | | |
| | 93.09 | 15.0 | 5000 | 8.75 | 3.7 | 39.7 | 39.7 | 100 | 112 | 132 | 160 | 180 | | |
| | 83.66 | 16.7 | 5000 | 9.73 | 3.6 | 37.9 | 37.9 | 100 | 112 | 132 | 160 | 180 | 200 | |
| | 76.27 | 18.4 | 5000 | 10.68 | 3.6 | 36.0 | 36.0 | 100 | 112 | 132 | 160 | 180 | | |
| | 69.66 | 20.1 | 5000 | 11.69 | 3.6 | 34.4 | 34.4 | 100 | 112 | 132 | 160 | 180 | | |
| | 63.37 | 22.1 | 5000 | 12.85 | 3.5 | 33.0 | 33.0 | 100 | 112 | 132 | 160 | 180 | 200 | |
| | 58.32 | 24.0 | 5000 | 13.96 | 3.5 | 31.5 | 31.5 | 100 | 112 | 132 | 160 | 180 | 200 | |
| | 53.98 | 25.9 | 5000 | 15.09 | 3.4 | 30.2 | 30.2 | 100 | 112 | 132 | 160 | 180 | 200 | |
| | 51.92 | 27.0 | 5000 | 15.69 | 3.4 | 29.8 | 29.8 | 100 | 112 | 132 | 160 | 180 | 200 | |
| | 47.78 | 29.3 | 5000 | 17.05 | 3.4 | 28.3 | 28.3 | 100 | 112 | 132 | 160 | 180 | 200 | |
| | 43.64 | 32.1 | 4800 | 17.92 | 3.3 | 27.7 | 27.7 | 100 | 112 | 132 | 160 | 180 | 200 | |
| | 39.27 | 35.6 | 4800 | 19.91 | 3.3 | 26.3 | 26.3 | | | 132 | 160 | 180 | 200 | |
| | 36.20 | 38.7 | 4800 | 21.60 | 3.2 | 25.0 | 25.0 | 100 | 112 | 132 | 160 | 180 | 200 | |
| | 32.18 | 43.5 | 4700 | 23.79 | 3.1 | 23.9 | 23.9 | | | 132 | 160 | 180 | 200 | |
| | 29.66 | 47.2 | 4700 | 25.81 | 3.0 | 22.7 | 22.7 | 100 | 112 | 132 | 160 | 180 | 200 | |
| | 27.09 | 51.7 | 4600 | 27.66 | 3.0 | 21.9 | 21.9 | 100 | 112 | 132 | 160 | 180 | 200 | |
| | 24.90 | 56.2 | 4600 | 30.09 | 2.9 | 21.0 | 21.0 | | | 132 | 160 | 180 | 200 | |
| | 22.43 | 62.4 | 4400 | 31.95 | 2.8 | 20.3 | 20.3 | | | 132 | 160 | 180 | 200 | |
| | 20.40 | 68.6 | 4000 | 31.94 | 2.8 | 20.8 | 20.8 | | | 132 | 160 | 180 | 200 | |
| | 18.38 | 76.2 | 3600 | 31.90 | 2.8 | 20.9 | 20.9 | | | 132 | 160 | 180 | 200 | |
| | 16.79 | 83.4 | 3200 | 31.04 | 2.8 | 21.3 | 21.3 | | | 132 | 160 | 180 | 200 | |
| | 14.23 | 98.4 | 3100 | 35.48 | 2.7 | 19.9 | 19.9 | | | 132 | 160 | 180 | 200 | |
| | 11.65 | 120.1 | 3100 | 43.34 | 2.4 | 18.0 | 18.0 | | | 132 | 160 | 180 | 200 | |
| | 10.64 | 131.5 | 3000 | 45.93 | 2.3 | 17.5 | 17.5 | | | 132 | 160 | 180 | 200 | |

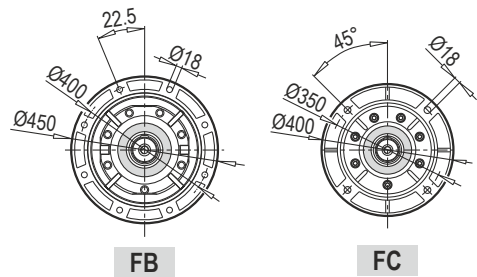
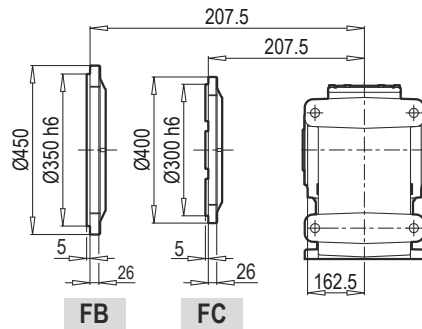
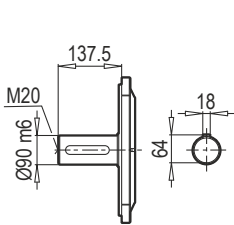
K 90390 PAM B5/B14



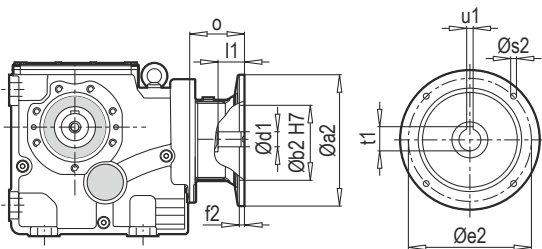
TMA - CMA



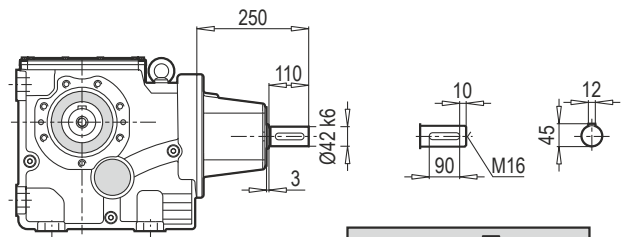
TMA



PAM B5/B14



W



| W ~ Kr | |
|---------|-------|
| K 90390 | 216.5 |

| Редуктор | PAM B5 | Øa2 | Øb2 | Øe2 | f2 | Øs2 | Ød1 | l1 | t1 | u1 | o |
|----------|--------|-----|-----|-----|-----|-----|-----|-----|------|----|-----|
| K 90390 | 132 | 300 | 230 | 265 | 5.5 | 12 | 38 | 82 | 41.3 | 10 | 76 |
| | 160 | 350 | 250 | 300 | 7 | 16 | 42 | 112 | 45.3 | 12 | 124 |
| | 180 | 350 | 250 | 300 | 7 | 16 | 48 | 112 | 51.8 | 14 | 124 |
| | 200 | 400 | 300 | 350 | 7 | 16 | 55 | 112 | 59.3 | 16 | 161 |
| | 225 | 450 | 350 | 400 | 7 | 16 | 60 | 142 | 64.4 | 18 | 161 |

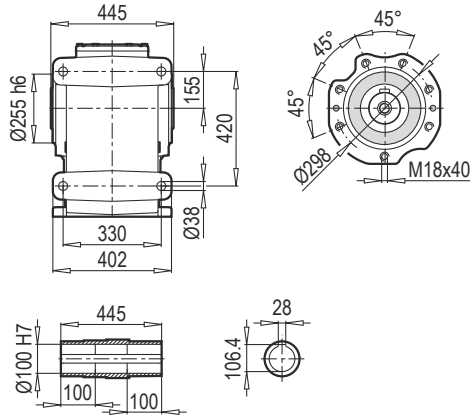
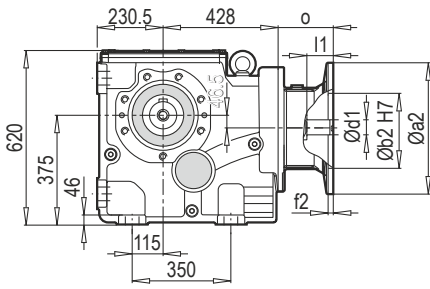
| ~ Kr | |
|--------|---------|
| PAM B5 | K 90390 |
| 132 | 203.5 |
| 160 | 211.5 |
| 180 | 211.5 |
| 200 | 226.5 |
| 225 | 229.5 |

| Редуктор | PAM B14 | Øa2 | Øb2 | Øe2 | f2 | Øs2 | Ød1 | l1 | t1 | u1 | o |
|----------|---------|-----|-----|-----|-----|-----|-----|----|------|----|----|
| K 90390 | 132 | 200 | 130 | 165 | 3.5 | 11 | 38 | 82 | 41.3 | 10 | 76 |

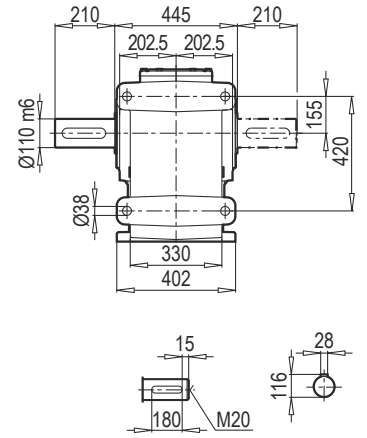
| ~ Kr | |
|---------|---------|
| PAM B14 | K 90390 |
| 132 | 197 |

| Редуктор | i | 4 - пол. 50 Гц 1400 об/мин n ₂ [об/мин] | M _a макс f _B =1 4 - пол. [Нм] | P ₁ макс W f _B ≥ | | | | PAM - IEC | | | | | |
|--|--------|--|--|--|-------------|-----------------|--------------------|-----------|-----|-----|-----|-----|--|
| | | | | 4 - пол. 1400 об/мин [кВт] | FR1 [кН] | FR2 (M) [кН] | FR2 (D,KS) [кН] | | | | | | |
| K90390 W 1 + PAM - IEC W 1 | 168.56 | 8.3 | 8000 | 7.73 | 9.6 | 65.0 | 65.0 | 132 | 160 | 180 | | | |
| | 152.10 | 9.3 | 8000 | 8.62 | 9.5 | 65.0 | 65.0 | 132 | 160 | 180 | | | |
| | 136.87 | 10.2 | 8000 | 9.52 | 9.5 | 65.0 | 65.0 | 132 | 160 | 180 | | | |
| | 126.23 | 11.1 | 8000 | 10.32 | 9.4 | 65.0 | 65.0 | 132 | 160 | 180 | | | |
| | 105.17 | 13.3 | 8000 | 12.39 | 9.4 | 65.0 | 65.0 | 132 | 160 | 180 | 200 | 225 | |
| | 94.90 | 14.8 | 8000 | 13.73 | 9.3 | 65.0 | 65.0 | 132 | 160 | 180 | 200 | 225 | |
| | 88.87 | 15.8 | 8000 | 14.66 | 9.3 | 65.0 | 65.0 | 132 | 160 | 180 | | | |
| | 85.54 | 16.4 | 8000 | 15.23 | 9.2 | 65.0 | 65.0 | 132 | 160 | 180 | | | |
| | 78.76 | 17.8 | 8000 | 16.54 | 9.2 | 64.1 | 64.1 | 132 | 160 | 180 | 200 | 225 | |
| | 72.16 | 19.4 | 8000 | 18.06 | 9.1 | 62.1 | 62.1 | 132 | 160 | 180 | | | |
| | 64.83 | 21.6 | 8000 | 20.10 | 9.0 | 59.4 | 59.4 | 132 | 160 | 180 | 200 | 225 | |
| | 62.21 | 22.5 | 8000 | 20.95 | 9.0 | 58.4 | 58.4 | 132 | 160 | 180 | 200 | 225 | |
| | 58.50 | 23.9 | 8000 | 22.27 | 8.9 | 57.0 | 57.0 | 132 | 160 | 180 | 200 | 225 | |
| | 55.45 | 25.2 | 8000 | 23.50 | 8.9 | 55.9 | 55.9 | 132 | 160 | 180 | 200 | 225 | |
| | 51.63 | 27.1 | 8000 | 25.24 | 8.8 | 54.2 | 54.2 | 132 | 160 | 180 | 200 | 225 | |
| | 48.55 | 28.8 | 8000 | 26.84 | 8.8 | 52.9 | 52.9 | 132 | 160 | 180 | 200 | 225 | |
| | 42.94 | 32.6 | 8000 | 30.35 | 8.6 | 50.5 | 50.5 | 132 | 160 | 180 | 200 | 225 | |
| | 39.74 | 35.2 | 8000 | 32.79 | 8.5 | 48.7 | 48.7 | | 160 | 180 | 200 | 225 | |
| | 35.85 | 39.1 | 8000 | 36.35 | 8.4 | 46.7 | 46.7 | | 160 | 180 | 200 | 225 | |
| | 34.18 | 41.0 | 8000 | 38.12 | 8.3 | 45.9 | 45.9 | 132 | 160 | 180 | 200 | 225 | |
| | 30.84 | 45.4 | 8000 | 42.25 | 8.1 | 44.0 | 44.0 | 132 | 160 | 180 | 200 | 225 | |
| | 28.71 | 48.8 | 8000 | 45.39 | 8.0 | 42.7 | 42.7 | 132 | 160 | 180 | 200 | 225 | |
| | 25.60 | 54.7 | 6800 | 43.27 | 8.1 | 42.4 | 42.4 | 132 | 160 | 180 | 200 | 225 | |
| | 24.50 | 57.1 | 6700 | 44.54 | 8.0 | 41.7 | 41.7 | | 160 | 180 | 200 | 225 | |
| | 20.95 | 66.8 | 6500 | 50.54 | 7.8 | 39.5 | 39.5 | | 160 | 180 | 200 | 225 | |
| | 18.90 | 74.1 | 6000 | 51.71 | 7.7 | 38.6 | 38.6 | | 160 | 180 | 200 | 225 | |
| | 15.69 | 89.2 | 5000 | 51.91 | 7.7 | 37.2 | 37.2 | | 160 | 180 | 200 | 225 | |
| | 14.32 | 97.8 | 5000 | 56.87 | 7.5 | 35.9 | 35.9 | | 160 | 180 | 200 | 225 | |
| | 12.92 | 108.5 | 4500 | 56.73 | 7.5 | 35.1 | 35.1 | | 160 | 180 | 200 | 225 | |
| | 10.72 | 130.6 | 4500 | 68.38 | 7.0 | 32.7 | 32.7 | | 160 | 180 | 200 | 225 | |

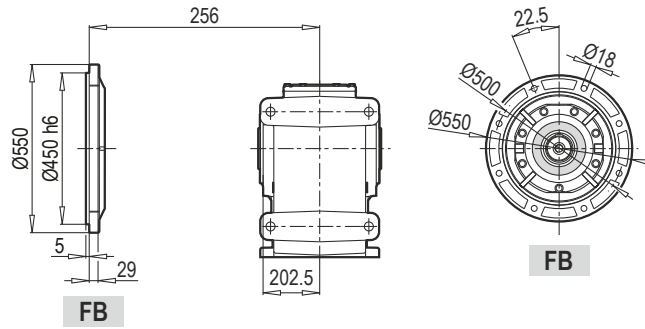
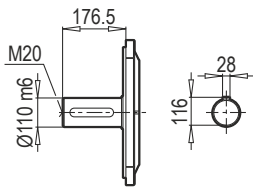
K 100390 PAM B5/B14



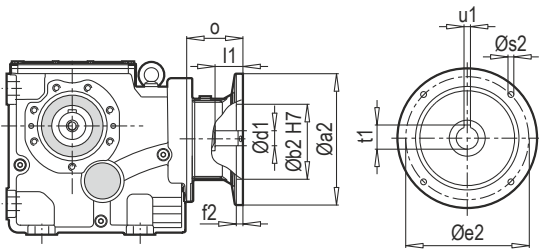
TMA - CMA



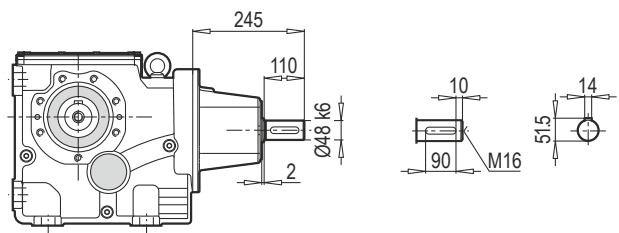
TMA / B5



PAM B5/B14



W



| W ~ Kr | |
|----------|-----|
| K 100390 | 460 |

| Редуктор | PAM B5 | Øa2 | Øb2 | Øe2 | f2 | Øs2 | Ød1 | l1 | t1 | u1 | o |
|----------|--------|-----|-----|-----|----|-----|-----|-----|------|----|-----|
| K 100390 | 160 | 350 | 250 | 300 | 7 | 16 | 42 | 112 | 45.3 | 12 | 109 |
| | 180 | 350 | 250 | 300 | 7 | 16 | 48 | 112 | 51.8 | 14 | 109 |
| | 200 | 400 | 300 | 350 | 7 | 16 | 55 | 112 | 59.3 | 16 | 146 |
| | 225 | 450 | 350 | 400 | 7 | 16 | 60 | 142 | 64.4 | 18 | 146 |
| | 250 | 550 | 450 | 500 | 7 | 16 | 65 | 142 | 69.4 | 18 | 175 |
| | 280 | 550 | 450 | 500 | 7 | 16 | 75 | 142 | 79.9 | 20 | 175 |

| ~ Kr | |
|--------|----------|
| PAM B5 | K 100390 |
| 160 | 390 |
| 180 | 390 |
| 200 | 455 |
| 225 | 461 |
| 250 | 480 |
| 280 | 480 |

