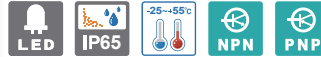


ZM-2 | SERIES

Ø25mm

Tower lamp

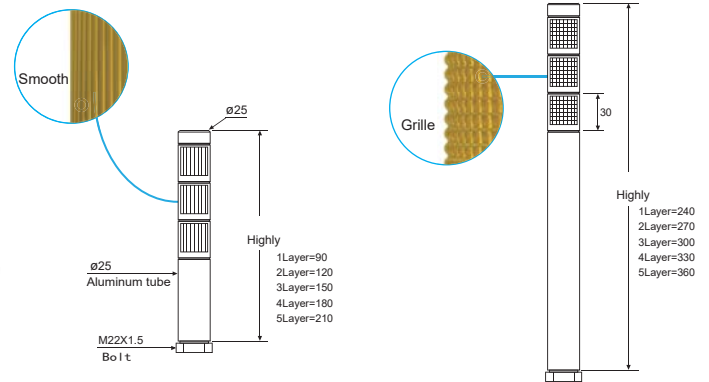
Outside diameter 25mm, super MINI design
 Exquisite appearance streamline design language
 LED modules can be combined freely, and can be added or removed freely
 LED modules at any level do not affect the definition of lines
 Center bolts need to be replaced to add or remove LED modules



Size chart

Unit: mm

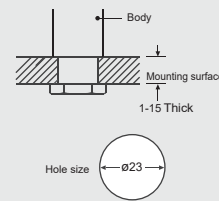
 Dwarf body

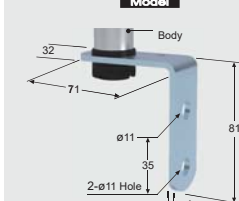
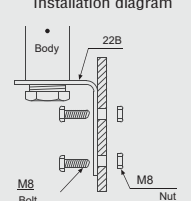
 Standard body


Select code



- ① Body: None = Standard body
S = Dwarf body
- ② Layer number: 1 = 1 Layer
2 = 2 Layer
3 = 3 Layer
4 = 4 Layer
5 = 5 Layer
- ③ Voltage: 01 = 12V/DC
02 = 24V/DC
- ④ Body color: None = Black
A = Silver
- ⑤ Lens: None = Smooth
M = Grille
- ⑥ Color: Red = R
Yellow = Y
Green = G
Blue = B
White = W
- ⑦ Lamp Shade Color: No letters=Color
C=Transparent color
- ⑧ Stent models: None = Direct mount
B = 22B

 Direct mount

 Stent size

22B
Model

 Installation diagram


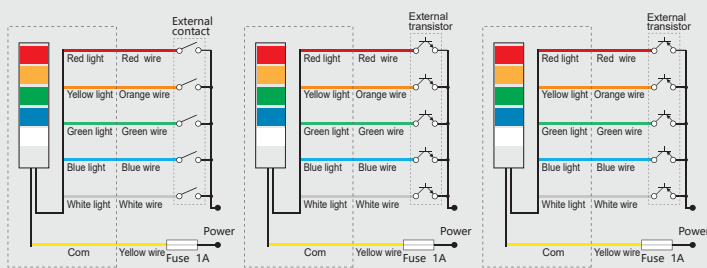
Technical Parameters

Standard		IEC/EN 61000-6
Signal		CE
The environment temperature	Storage	-40°C~+70°C
	Operating	-25°C~+55°C
Operating humidity		45 to 85%RH
Degree of Protection		IP65 Watertight/Oitight
Light source		LED
Rated insulation voltage	IEC60947-1	>800V
Voltage range	IEC60947-5-1	V0.85~1.10Un
Rated Voltage		12V/DC 24V/DC
LED Current	All Colors	30mA 18mA
Surge current	All Colors	100mA 100mA
Electrical life		About 50,000 hours
Cable		UL1007 AWG22 (L=800mm)

Wiring Diagram

 External contact

 NPN transistor

 PNP transistor


ООО "РусАвтоматизация"

454010 г. Челябинск, ул. Гагарина 5, оф. 507
 тел. 8-800-775-09-57 (звонок бесплатный), +7(351)799-54-26, тел./факс +7(351)211-64-57
info@rusautomation.ru; rusautomation.ru; www.rusautomation.ru