

Model Number

ECN40HD-*

Cable pull

Features

- **Open cable pull system**
- **Up to 20 m of measuring cable**
- **Measuring cable diameter of 2 mm**
- **Drum with grooving (Lebus spooling) to increase service life and accuracy**
- **Ball joint as standard cable attachment point allows the attachment point to move with various degrees of freedom and prevents the measuring cable from kinking**

Description

Cable pull for use in harsh ambient conditions.

Technical data

General specifications

Device type	Heavy duty
Measuring range	5000 ... 20000 mm
Drum perimeter	500 mm
Construction type	190 mm

Ambient conditions

Ambient temperature	-30 ... 70 °C (-22 ... 158 °F)
---------------------	--------------------------------

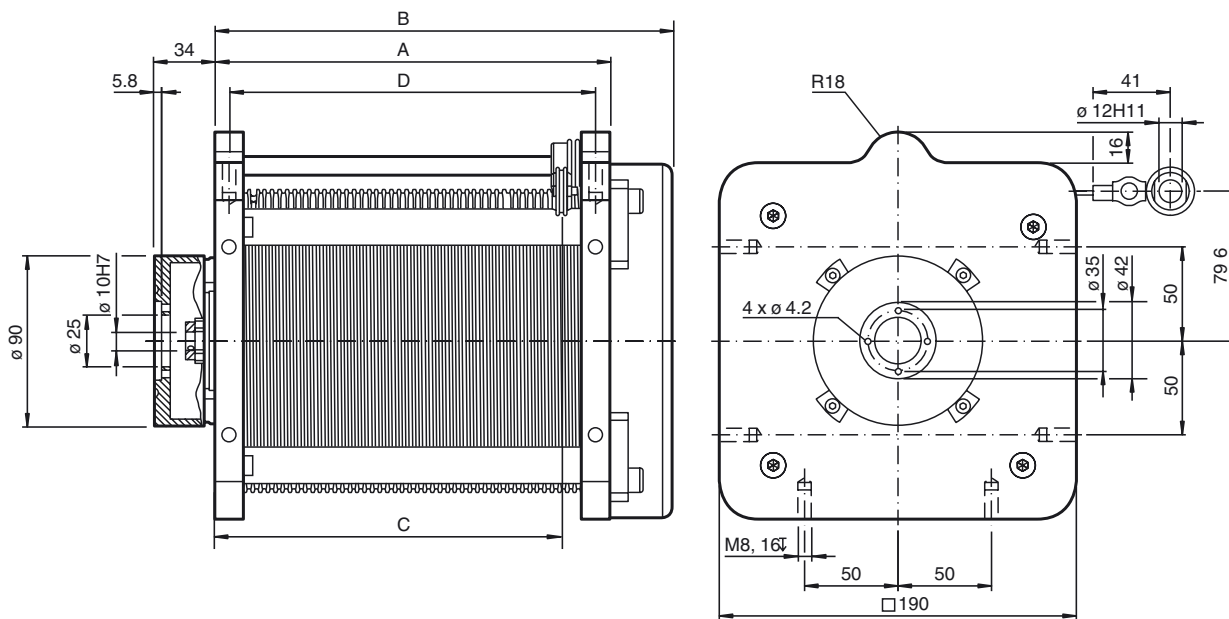
Mechanical specifications

Rope diameter	2 mm
Tension force at rope	22 ... 37 N
Retraction speed	4 m/s
Degree of protection	IP65
Material	
Housing	anodized aluminum
Spring housing	lacquer-coated aluminum
Rope	Stainless steel 1.4401/316, plastic sheathing
Life span	up to 10 ⁶ Cycles

General information

Scope of delivery	Shaft coupling for attaching a rotary encoder , Mounting clips , 4 x M4 x 8 bolts for mounting the adapter , Sealing elements (various seals for mounting a rotary encoder) , Hexagon socket wrench, 1.3 AF
-------------------	---

Dimensions



Variable sizes

Technical Data	Design 190			
Measuring length (in m)	05	10	15	20
Repeatability (max. in mm)	0.5	1	1.5	2
Hysteresis (max. in mm)	2	4	5	6
Weight in kg	5	5.5	6	7.5
Dimensions (in mm)				
A	90	130	170	210
B	123	163	203	243
C	64	104	144	184
D	75	115	155	195

Model Number

E C N 4 0 H D - [] C N A - X 4 : N N

Length of measuring cable
05 5 m
10 10 m
15 15 m
20 20 m