



www.fine-tek.com

Thermal Dispersion & Paddle Type Flow Switch

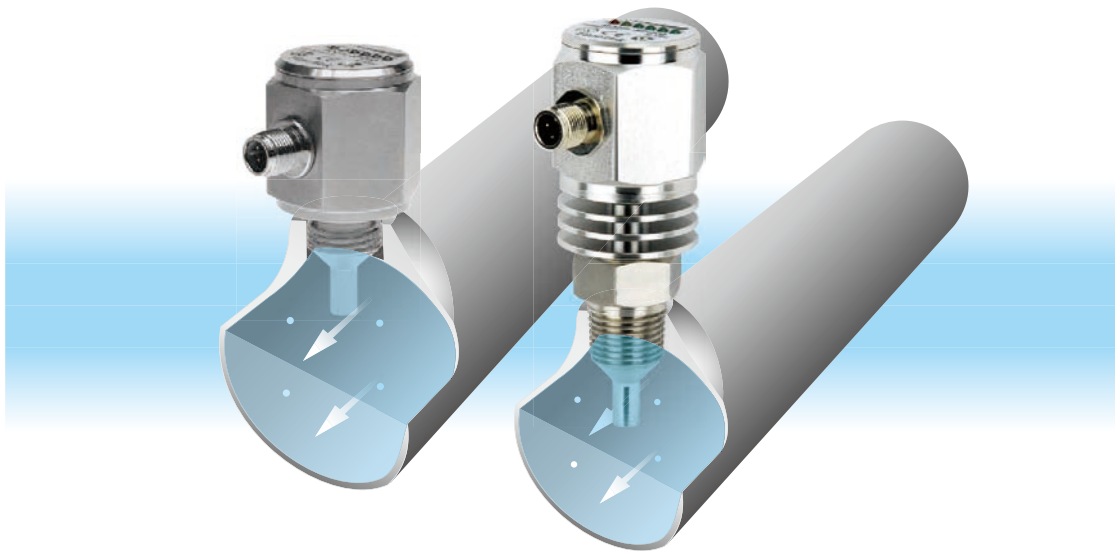


PRODUCT INTRODUCTION

OPERATING PRINCIPLE

Thermal dispersion flow switches measure the velocity of a liquid inside a pipe or channel. The switch's probe contains two key components – a heating sensor and temperature sensor. The heating sensor is positioned closest to the flowing liquid and provides a consistent heat. The temperature sensor measures the temperature emitted from the heating sensor.

When liquid is flowing, there is a temperature difference between the two sensors. The temperature difference has an inverse relationship with the flow velocity (fast flowing liquids will result in greater heat differences and vice versa). Since the device contains no moving parts, has no wear and tear and maintains a long lifespan.



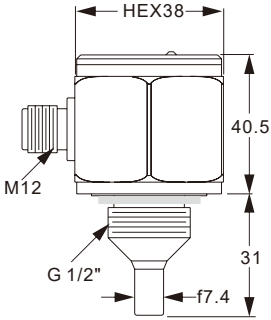
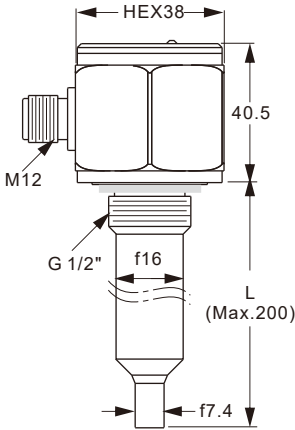
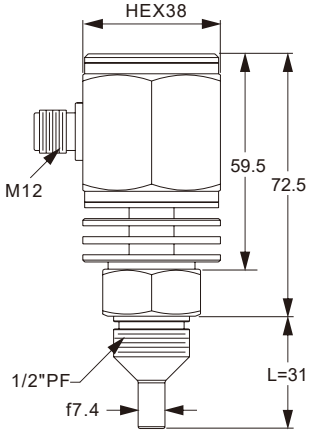
FEATURES

- High sensitivity and accuracy.
- Suitable for corrosive and hazardous conditions.
- Able to be calibrated for liquids with different densities and impurities.
- Suitable for complex locations with easy installation.
- Customized probe lengths available.
- Three different output signals options.

APPLICATION

Petrochemicals, Hydroelectric plants, Shipyard, HVAC Systems, Steel Industry Food and Beverage, Pharmaceutical, Optics and Semiconductor Industry, Cooling pipes flow control
Any pipes carrying liquid where flow measurement is needed.

PRODUCT SPECIFICATIONS

Drawings			
Model	SP200 Compact model	SP201 Extension model	SP202 High temp. model
Measuring range	Water: 1~150 cm/s Oil: 3~300 cm/s	Water: 1~150 cm/s Oil: 3~300 cm/s	Water: 1~150 cm/s Oil: 3~300 cm/s
Switching point	Flow velocity ≤ 50cm/s @ 25°C, Water		
Ambient temp.	-20 ~ 60°C	-20 ~ 60°C	-20 ~ 60°C
Process temp.	-20 ~ 80°C	-20 ~ 80°C	-20 ~ 120°C
Alarm output	Open Collector : NPN / PNP (<400mA) Relay : 1A/30Vdc, 0.3A/125Vac (NO or NC)		
Operating pressure	100 bar (max.)	100 bar (max.)	100 bar (max.)
Led indication	Flow velocity below set point- Red LED on, Open Flow velocity equals set point- Yellow LED on, Close Flow velocity above set point- 4 Green LED to indicate flow speed, Close		
Housing	SUS304 / 316 / 316L		
Wetted part	SUS304 / 316 / 316L		
Protection level	IP67		
Warm-up time	Approx. 15 Sec	Approx. 15 Sec	Approx. 15 Sec
Connection thread	G1/2, G1/4, NPT1/2	G1/2, NPT1/2	G1/2, G1/4, NPT1/2
Operating voltage	19 ~ 30Vdc		
Power consumption	50mA (max.)		
Wiring	3-wire NPN/PNP Power-brown Grounding-blue Output-black		
Accessory	Gasket, 2m Cable		

Drawings	
Model	SP220 Economy model
Measuring range	Water: 1~150 cm/s Oil: 3~300 cm/s
Switching point	Flow velocity ≤ 50 cm/s @25°C, Water
Ambient temp.	-20 ~ 60°C
Process temp.	-20 ~ 80°C
Alarm output	Open Collector : NPN / PNP (<400mA) Relay : 1A/30Vdc, 0.3A/125Vac (NO or NC)
Operating pressure	100 bar (max.)
Led indication	Flow velocity below set point- Red LED on, Open Flow velocity equals set point- Yellow LED on, Close Flow velocity above set point- 4 Green LED to indicate flow speed, Close
Housing	PC
Wetted part	SUS304 / 316 / 316L
Protection level	IP65
Warm-up time	Approx. 15 Sec
Connection thread	G1/2, NPT1/2
Operating voltage	19 ~ 30Vdc
Power consumption	50mA (max.)
Wiring	3-wire NPN/PNP Power-brown Grounding-blue Output-black
Accessory	Gasket, 2m Cable
Footnote	Sensitivity and Alarm setting not available.

<p>Drawings</p>			
<p>Model</p>	<p>SP210 Stainless steel model</p>	<p>SP170-(1/2) Explosion proof model</p>	<p>SP171-(1/2) Explosion-proof extension model</p>
<p>Measuring range</p>	<p>Water: 1~150 cm/s Oil: 3~300 cm/s</p>		
<p>Switching point</p>	<p>Flow velocity ≤ 50cm/s @ 25°C, Water</p>		
<p>Ambient temp.</p>	<p>-20 ~ 60°C</p>		
<p>Process temp.</p>	<p>-20 ~ 80°C</p>		
<p>Alarm output</p>	<p>Relay: 5A/250Vac</p>	<p>Relay: 3A/250Vac</p>	
<p>Operating pressure</p>	<p>100 bar (max.)</p>		
<p>Led indication</p>	<p>Flow velocity below set point- Red LED on, Open Flow velocity equals set point- Yellow LED on, Close Flow velocity above set point- 4 Green LED to indicate flow speed, Close</p>		
<p>Housing</p>	<p>SUS304</p>		
<p>Wetted part</p>	<p>SUS304 / 316 / 316L</p>		
<p>Protection level</p>	<p>IP67</p>		
<p>Warm-up time</p>	<p>Approx.15 Sec</p>		
<p>Connection thread</p>	<p>G1/2, NPT1/2</p>		
<p>Operating voltage</p>	<p>19 ~ 30Vdc</p>		
<p>Power consumption</p>	<p>60mA (max.)</p>		
<p>Wiring</p>	<p>5-wire Relay Output Power- red Grounding- black COM- white NC- yellow NO- blue</p>		
<p>Accessory</p>	<p>Gasket, 2m Cable</p>	<p>_____</p>	<p>_____</p>

INSTALLATION

INSTALLATION

1. Use the water-proof gasket provided
2. The distance "a" should be 4 times larger than the switches' screw diameter. (Fig. 1)
3. The pipe is bubble free for proper functioning. (Fig. 2)
4. For not-completely-filled pipes, install from the bottom. The liquid level needs to be higher than the probe height. (Fig. 3)
4. Screw tightly to avoid. Can be installed from various angles. For best sensitivity and response speed, please install using in the demonstrated in Fig. 4
5. Installing a filter upstream can decrease liquid impurities which can reduce wear and tear on the switch.

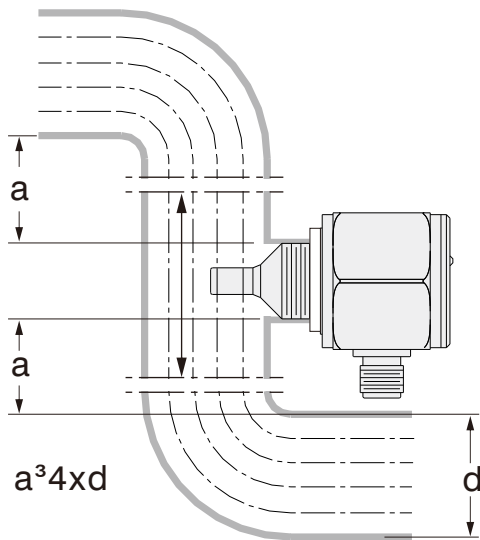


Fig. 1

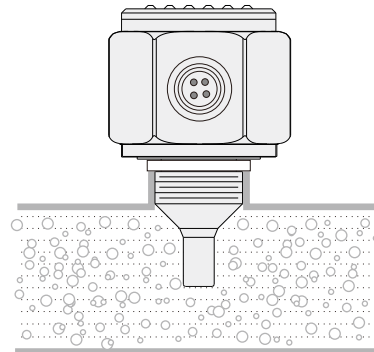


Fig. 2

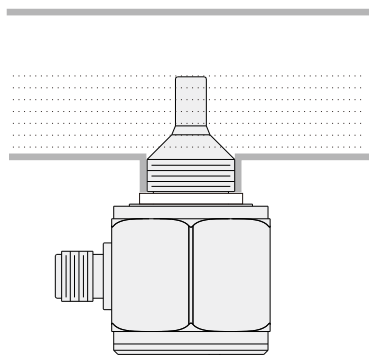


Fig. 3

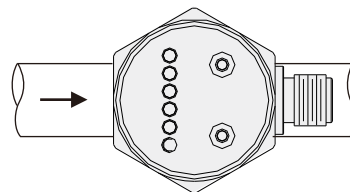


Fig. 4

WIRING AND CONNECTIONS

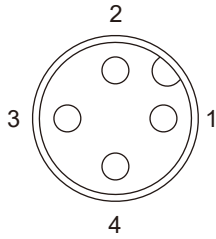


Fig. 5
Wire terminal diagram
(NPN, PNP and 1A relay output type)

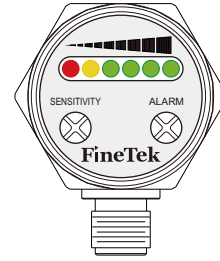


Fig. 6

WIRING

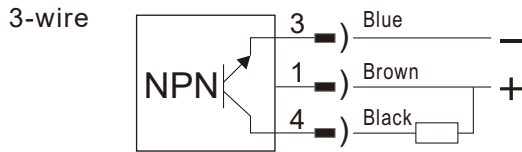


Fig. 7, NPN output type wiring

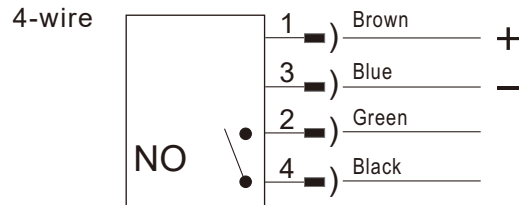


Fig. 10, Relay output type wiring (NO)

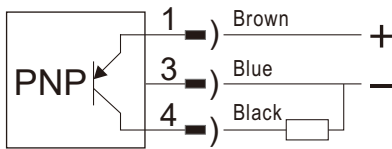


Fig. 8, PNP output type wiring

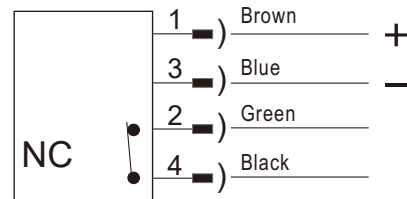


Fig. 11, Relay output type wiring (NC)

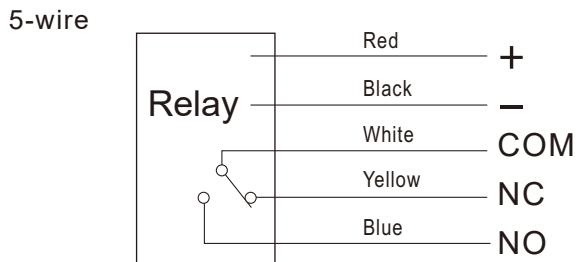
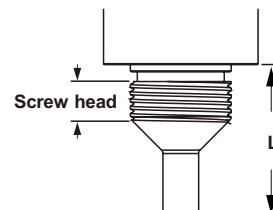


Fig. 9, Relay output type wiring

SCREW TABLE

Screw	Standard			
	PF,BSP		PT,NPT	
	Screw head	L	Screw head	L
1/4"	8.5mm	25mm	10mm	25mm
1/2"	10.5mm	31mm	19mm	40mm
1"	16mm	36mm	20mm	40mm

Screw	Extension			
	PF,BSP		PT,NPT	
	Screw head		Screw head	
1/2"	11.5mm	16mm	16mm	20mm
1"	16mm		20mm	



ORDER INFORMATION

SPX1 ⑤ ⑥ ⑦ ⑧ - ⑨ ⑩ ⑪ ⑫ ⑬ ⑭ ⑮ ⑯ ⑰ ⑱ ⑲ ⑳ ㉑ ㉒

⑤ ⑥ **Model**

- 00: Standard
- 01: Economy(ABS)
- 02: Hi-temperation

⑦ ⑧ **Certification**

- 00: None
- 7C: NEPSI-Exd
- B0: DNV

⑨ **Construction**

- A: Compact type
- B: Extension type
- C: Stainless steel type
- D: Stainless steel extension type

Connection

⑩ ⑪

- Thread item
- AA: JIS
- AB: ISO
- AC: ANSI

⑫ ⑬

- A4: 3/8"
- A2: 1/4"
- A5: 1/2"
- A7: 3/4"
- A8: 1"

⑭ ⑮

- 01: PT male
- 03: PF male
- 05: BSP male
- 07: NPT male
- 13: GAS male

⑯ ⑰ **Material**

- MA: SUS 304
- MB: SUS 316
- MC: SUS 316L

⑱ **Output signal**

- A: NPN
- B: PNP
- C: Relay 1A/30Vdc, 0.3A/125Vac(NO)
- D: Relay 1A/30Vdc, 0.3A/125Vac(NC)
- E: SPDT 3A/5A, 250Vac(Only stainless steel type)

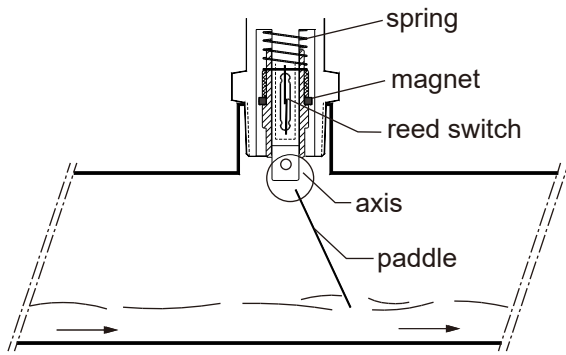
⑲ ⑳ ㉑ ㉒ **Length**

Code	Description
0031~0200	0031(PF), 0040(NPT/PT)mm, Max.0200
0070~0200	0070~0200mm

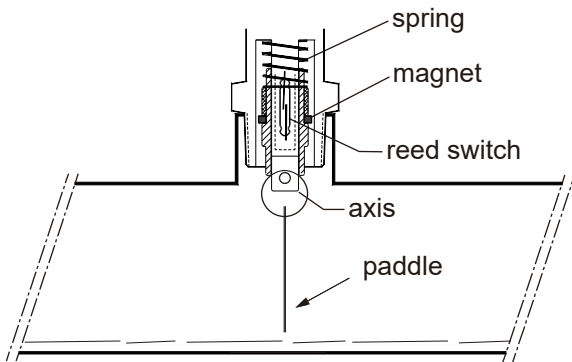
PADDLE TYPE FLOW SWITCH

PRINCIPLE

Flow Switch can detect liquid movement in pipes. When the liquid is static or nonexistent, the spring is fully extended pulling the magnet downward and opening the switch. As flow occurs and the paddle is thrust forward 20°C~30°C (or more) the paddle will push the magnet upward and actuate the switch (closing the circuit). The length of paddle can be adjusted to the pipe's diameter.



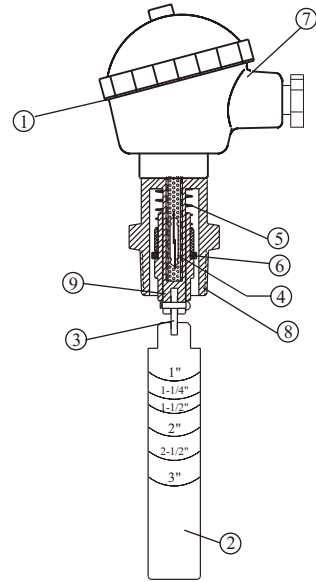
Switch on in case of liquid flowing in pipes



Switch off in case of no moving liquid in pipes

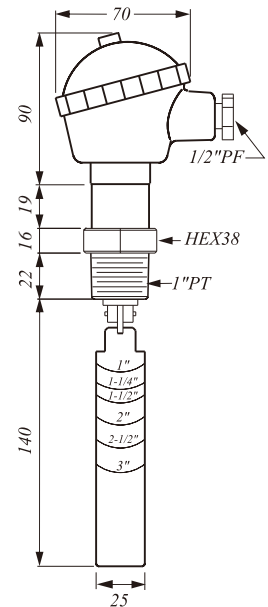
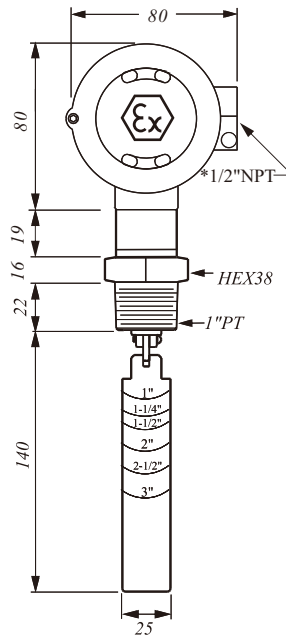
SECTIONAL DRAWINGS

1. O-Ring
2. Paddle
3. Axis
4. Reed switch
5. Spring
6. Magnet
7. Housing
8. Screw
9. Center rod



MODEL: SF1700
Enclosure
Explosion-Proof type
(L-Housing)

MODEL: SF1800
Standard type



*Optional part 1/2" NPT

Spec.	Model	SF1700	SF1800
Housing material		Aluminum Alloy, Ⓢ Ex d IIC T6~T4	Aluminum Alloy, IP65
Process temp.		-30°C~130°C	-30°C~150°C
Wetted material		SUS304	SUS304
Operation pressure		Max. 355 PSIG	Max. 355 PSIG
Pressure drop allowance		3 PSIG	3 PSIG
Set point tolerance		±25%	±25%
Repeatability tolerance		±5%	±5%
Contact capacity		1A,60W 220Vac / 200Vdc, SPDT	1A,60W 220Vac / 200Vdc, SPDT

FLOW CONTROL RANGE TABLE

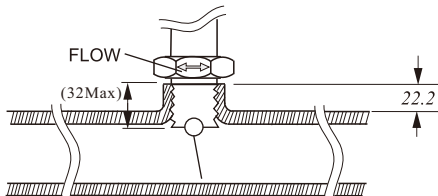
Flow Volume Paddle Length Gallon / Min.	1"		1-1/2"		2"		2-1/2"		3"	
	Act.	De-Act.	Act.	De-Act.	Act.	De-Act.	Act.	De-Act.	Act.	De-Act.
1"	4.7	3.9	10.9	8.3	19.9	16.1				
1-1/4"			7.7	6.1	16.5	12.3	31.3	22.8		
1-1/2"			5.7	4.5	13.4	9.5	25.2	18.5		
2"					8.4	6.3	15.1	12.8	29.7	21.9
2-1/2"							13.9	10	20.4	15.4
3"									17.1	12.8

※1 Gallon=3.7854 Litter

INSTALLATION

1. The paddle length is dependent on the lowest paddle point to actuate the switch. Cut the paddle at appropriate pipe size mark or wherever desired. The minimum is 1".
2. The paddle must be at a right angle to the direction of flow
3. The FLOW mark on the screw must be parallel to the pipe.
4. Before installing the unit to a tee pipe, apply thread seal tape to the screw and then tighten.

- Not recommended for 1" or smaller NPT plastic pipes.



CAUTION

1. The pressure and temperature ranges as shown in the catalog, must not be exceeded and also take the abrupt pressure and temperature into considerations.
2. Large sudden changes in liquid temperature and density (specific gravity) changes will influence the flow switch accuracy
3. Although highly rigid and durable, shock and vibration should be minimized.
4. Excessive fluid debris might inhibit paddle operation. Occasionally remove switch and clean off any debris.
5. Sealing electrical connections and the connection will reduce moisture damage.

MODEL NUMBER / ORDER CODE COMPARISON TABLE / ORDER INFORMATION

Model Number	Order Code
SF1800	SFX10000-A1EAAA801
Sf1700	SFX1001C-A1LAAA801

SFX1 0 0 ⁰⁷ ⁰⁸ -A 1 ¹¹ ¹² ¹³ ¹⁴ ¹⁵ ¹⁶ ¹⁷ ¹⁸ ¹⁹ ²⁰

⁰⁷ ⁰⁸ Certification

00: None
1C:ATEX-Ex d

¹¹ Housing

Code	Description
E	Aluminum, 1/2"PF-88x84, only for none explosion proof
L	Aluminum, 1/2"NPT-80x80, only for ATEX-Ex d

Connection

¹² ¹³

Thread
AA: JIS
AC: ANSI

¹⁴ ¹⁵

A8: 1"

¹⁶ ¹⁷

01: PT male
07: NPT male

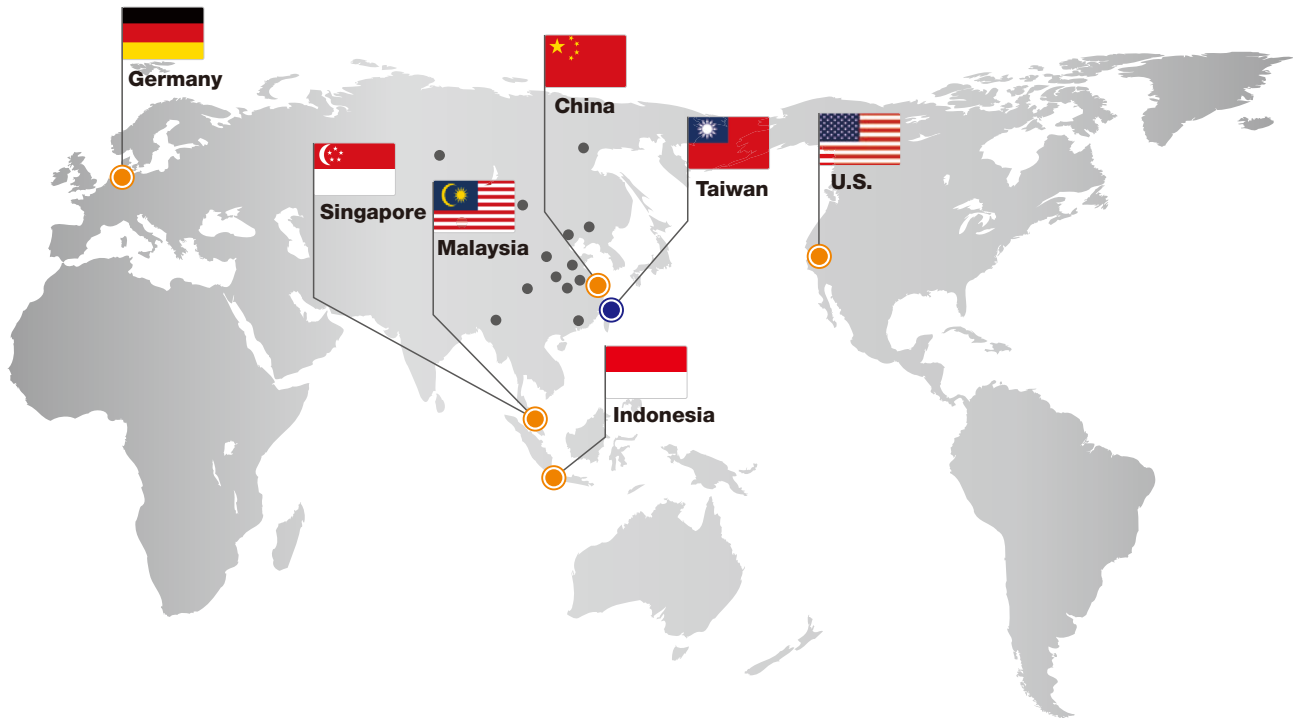
¹⁸ ¹⁹ Material

MA: SUS 304
MB: SUS 316

²⁰ Paddle length

X: Standard

Global Network



■ Head Quarte

● Taiwan

FineTek Co., Ltd. - Taipei Head Quarter
No.16, Tzuchiang St., Tucheng Industrial Park
New Taipei City 236, Taiwan
TEL: 886-2-2269-6789
FAX: 886-2-2268-6682
EMAIL: info@fine-tek.com

■ North America

● California, U.S.

Aplus Finetek Sensor Inc. - US Office
355 S. Lemon Ave, Suite D, Walnut,
CA 91789
TEL: 1 909 598 2488
FAX: 1 909 598 3188
EMAIL: info@aplusfine.com

■ Europe

● Germany

FineTek GmbH - Germany Office
Bei den Kämpen 26
21220 Seevetal-Ramelsloh, Germany
TEL: +49-(0)4185-8083-12
FAX: +49-(0)4185-8083-80
EMAIL: info@fine-tek.de

■ Asia

● China

Fine automation Co., Ltd. - Shanghai Factory
No.451 DuHui Rd, MinHang District, Shanghai,
China 201109
TEL: 86-21-6490-7260
EMAIL: info.sh@fine-tek.com

● Singapore

FineTek Pte Ltd. - Singapore Office
37 Kaki Bukit Place, Level 4 Singapore 416215
TEL: 65-6452-6340
EMAIL: info.sg@fine-tek.com

● Indonesia

FineTek Co., Ltd. - Indonesia Office
Ruko Golden 8 Blok H No.38
Gading Serpong, Tangerang, Indonesia
TEL: 62 (021)-2923-1688
EMAIL: info.id@fine-tek.com

● Malaysia

FineTek Co., Ltd. - Malaysia Office
8-05, Plaza Azalea, Persiaran Bandaraya,
Seksyen 14, 40000 Shah Alam, Selangor, Malaysia
TEL: 603-5524-7168
EMAIL: info.my@fine-tek.com

● Mütec Instruments GmbH - Germany Office

Bei den Kämpen 26
21220 Seevetal-Ramelsloh, Germany
TEL: +49-(0)4185-8083-0
FAX: +49-(0)4185-8083-80
EMAIL: muetec@muetec.de



ООО "РусАвтоматизация"

454010 г. Челябинск, ул. Гагарина 5, оф. 507
тел. 8-800-775-09-57 (звонок бесплатный),
тел.: (351)799-54-26, тел./факс (351)211-64-57
info@rusautomation.ru; www.rusautomation.ru
русавтоматизация.рф